

Product Name:	Cell Culture Flask
Product Application:	<p>Cell culture flasks are an ideal solution for enhanced cell attachment and growth of a variety of primary cells and transformed cells in serum free or serum-containing cultures.</p> <p>These flasks are available as tissue culture treated or non-treated as well as with a vent cap or plug seal cap to meet your requirements.</p>
Product Materials:	<p>PS (body) + PP (cap)</p> <p>Meets <i>USP, Class VI standards</i></p>
product Specifications:	<p>Temperature range: stored at room temperature</p> <p>Shelf life: 3 Years after date of production(TC Cat.No) (ensure package is in good). 5 Years after date of production(Non-treated Cat.No)(ensure package is in good).</p>
Sterilization:	<p>Yes.</p> <p>Sterilized by E-beam, Sterility Assurance Level: SAL=10⁻⁶. The product has been irradiated and dosimetrically released based on ANSI/AAMI/ISO 11137</p>
Pyrogens:	Non-Pyrogenic
RNase/DNase:	DNase/RNase free
BSE/TSE:	These products are deemed animal free.
Performance Testing:	<p>Each manufacturing lot is sampled and tested in accordance with standard operating procedures.</p> <p>Appearance inspection: qualified Particle Test: qualified</p> <p>Hydrophilic test: qualified Cell culture test: qualified</p> <p>Packaging inspection: qualified</p>

Features

1. High clarity medical grade polystyrene material.
2. Two types of cap style: vent caps & plug seal cap.
3. Vent caps with 0.22um hydrophobic filters for gas exchange without contamination.
4. TC treated: Vacuum Plasma tissue culture treatment, excellent cell adherence.
6. Multiple size options: cell growth areas ranging from 25cm² to 225cm² are available.
7. **A brand new specification, T150 U-Shaped Canted Neck Cell Culture Flask:**
 - Without influencing the regular usage, the bottleneck is enlarged, allowing the pipettes or cell scrapers to reach every corner of the flask freely and flexibly.
 - The bottleneck is enlarged to the size of the large mouth of NEST BioFactory, facilitating accessories' matching and offering better tubes' connection and closed transfer.
 - The unique U-shaped body is easier to hold and enhances the utilization rate of the

Product Range**Tissue Culture Treated Cell Culture Flasks**

Cat. No.	Cell Growth Area(cm ²)	Cap Style	Volume (mL)	Recommended Medium Volume(mL)	/Pack	/Case
CS0002-707001	25	Sealed Cap	30	5-7.5	10	200
CS0002-707003	25	Vent Cap	30	5-7.5	10	200
CS0002-708001	75	Sealed Cap	225	15-22.5	5	100
CS0002-708003	75	Vent Cap	225	15-22.5	5	100
CS0002-709001	175	Sealed Cap	400	35-52.5	5	40
CS0002-709003	175	Vent Cap	400	35-52.5	5	40
CS0002-721001	225	Sealed Cap	700	45-67.5	5	25
CS0002-721003	225	Vent Cap	700	45-67.5	5	25

Non-treated Cell Culture Flasks

Cat. No.	Cell Growth Area(cm ²)	Cap Style	Volume (mL)	Recommended Medium Volume(mL)	/Pack	/Case
CS0002-707011	25	Sealed Cap	30	5-7.5	10	200
CS0002-707013	25	Vent Cap	30	5-7.5	10	200
CS0002-708011	75	Sealed Cap	225	15-22.5	5	100
CS0002-	75	Vent Cap	225	15-22.5	5	100

708013						
CS0002-709011	175	Sealed Cap	400	35-52.5	5	40
CS0002-709013	175	Vent Cap	400	35-52.5	5	40
CS0002-721011	225	Sealed Cap	700	45-67.5	5	25
CS0002-721013	225	Vent Cap	700	45-67.5	5	25

TC-Treated T150 U-Shaped Canted Neck Cell Culture Flask

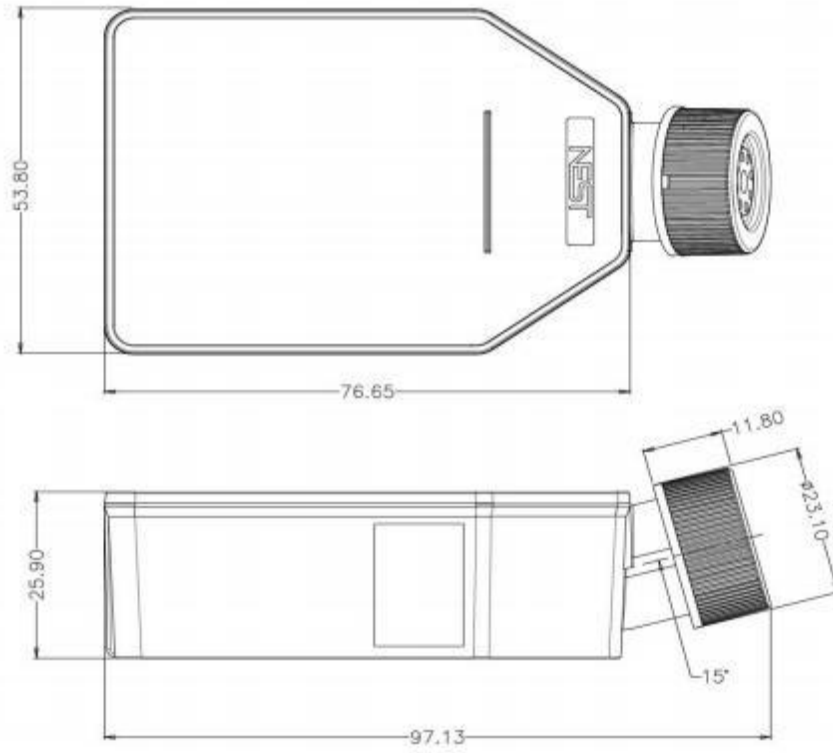
Cat. No.	Cell Growth Area(cm²)	Cap Style	Volume (mL)	Recommended Medium Volume(mL)	/Pack	/Case
CS0002-720001	150	Sealed Cap	375	30-45	5	40
CS0002-720003	150	Vent Cap	375	30-45	5	40

Non-treated T150 U-Shaped Canted Neck Cell Culture Flask

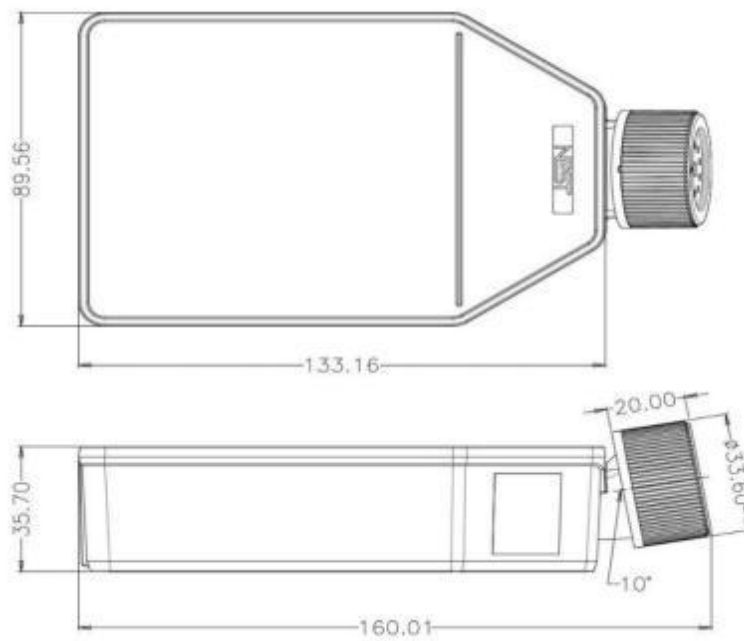
Cat. No.	Cell Growth Area(cm²)	Cap Style	Volume (mL)	Recommended Medium Volume(mL)	/Pack	/Case
CS0002-720011	150	Sealed Cap	375	30-45	5	40
CS0002-720013	150	Vent Cap	375	30-45	5	40

Technical Drawing

T25 cell culture flask

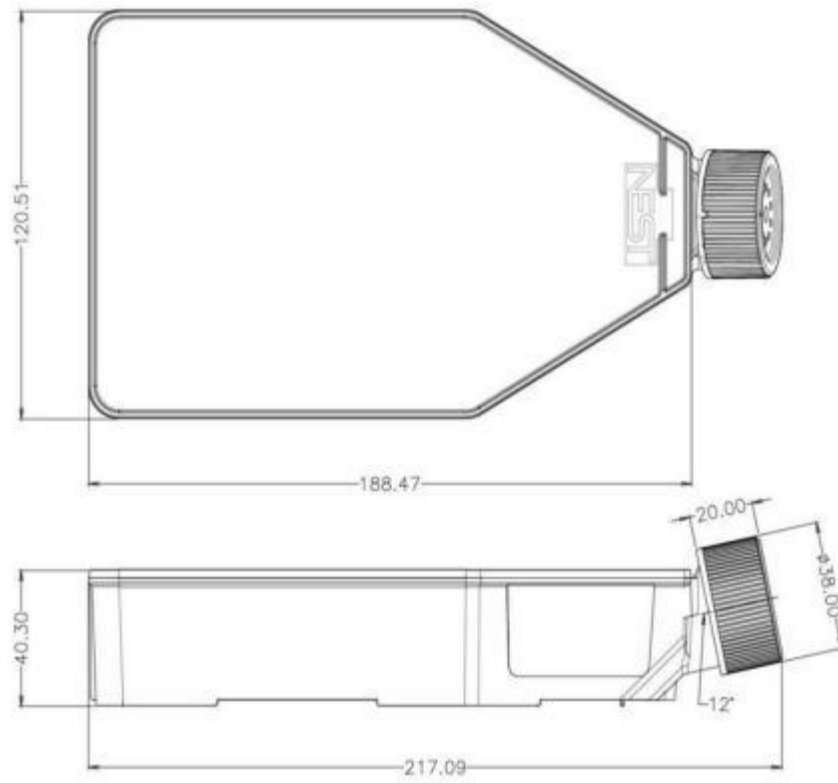


T75 cell culture flask

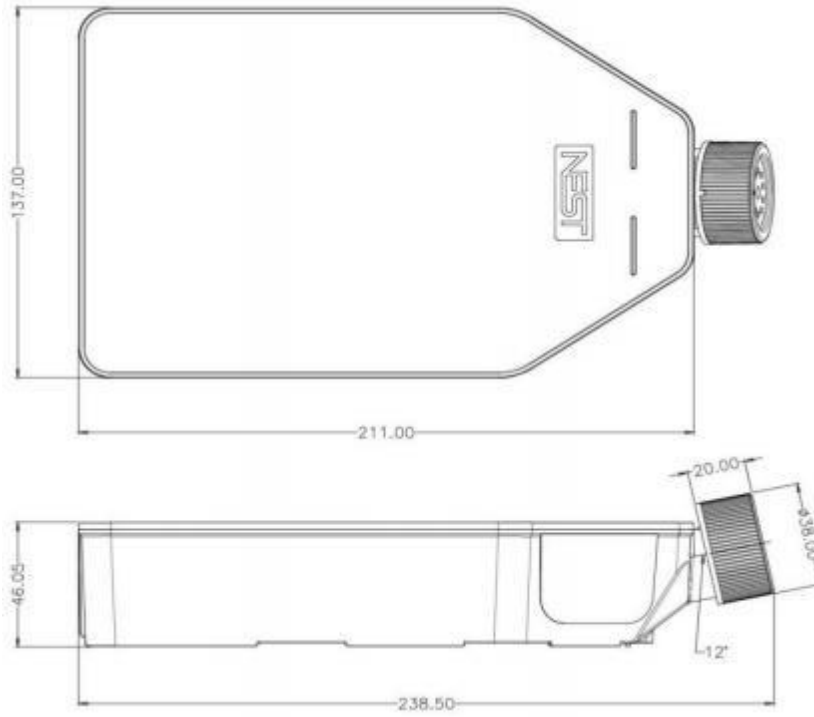


T175 cell culture

flask



T225 cell culture flask



T150 U-Shaped Canted Neck Cell Culture Flask

