

Product Name:	Cell Culture Plate
Product Application:	For cell culture and cell biology research experiments. Tissue treated and non-treated are both available. Non-treated growth surface is more hydrophobic than tissue culture surface and are similar to the surface of a bacteriological Petri dish.
Product Materials:	Polystyrene (PS), meets USP, Class VI standards.
product Specifications:	Temperature range: stored at room temperature Shelf life: 3 Years after date of production(TC Cat. No) (ensure package is in good) 5 Years after date of production(Non-treated Cat.No) (ensure package is in good)
Sterilization:	Yes. Sterilized by E-beam, Sterility Assurance Level: SAL=10 ⁻⁶ . The product has been irradiated and dosimetrically released based on ANSI/AAMI/ISO 11137
Pyrogens:	Non-Pyrogenic
RNase/DNase:	DNase/RNase free
BSE/TSE:	These products are deemed animal free.
Performance Testing:	Each manufacturing lot is sampled and tested in accordance with standard operating procedures. Appearance inspection: qualified Flatness test: qualified Hydrophilic test: qualified Cell culture test: qualified Packaging inspection: qualified
Features	<ol style="list-style-type: none"> Excellent design: Cell culture plates have round edges for better handling. Low profile, low-evaporation lid design assures uniform growth. Tissue treated and non-treated are both available. Small feet on the bottom corners of each plate eliminate scraping of the microscope lens. Markings of well coordinates available for 12, 24, 48, 96 and 384 well plates TC treated: Vacuum Plasma tissue culture treatment, better hydrophilicity for adherent cell culture. Non-treated growth surface is more hydrophobic than tissue culture surface and are similar to the surface of a bacteriological Petri dish. Various packaging types:



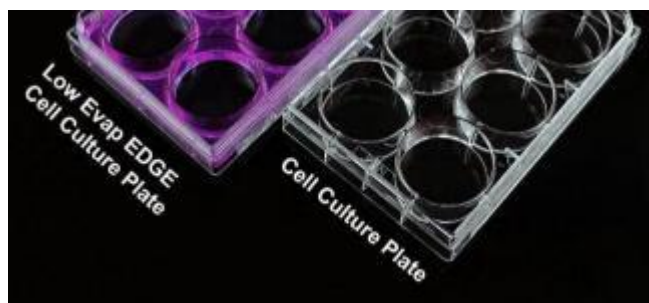
Invidually Wrapped in Peelable Bulk, Individually plastic wrapped Bulk, 10 qty/pk.

Tyvek Films and Blisters

in Peelable Bulk, Individua

5. Advantage of Low EVAP EDGE Plates:

Compare with Common Cell Culture Plate, Grooves are designed at the edge of the culture plate to avoid the edge effect to the greatest extent, and to ensure that the cells maintain their optimal state during cell culture.



Product Range

Individually Wrapped in Peelable Tyvek Films and Blisters

TC Cat. No.	Non-treated Cat.No.	Product Description	/Pack	/Case
CS0003-703001	CS0003-703011	6 Well Cell Culture Plate, Flat-bottom, Clear	1	50
CS0003-712001	CS0003-712011	12 Well Cell Culture Plate, Flat-bottom, Clear	1	50
CS0003-702001	CS0003-702011	24 Well Cell Culture Plate, Flat-bottom, Clear	1	50
CS0003-748001	CS0003-748011	48 Well Cell Culture Plate, Flat-bottom, Clear	1	50
CS0003- CS0003- 701001	CS0003- 701011	96 Well Cell Culture Plate, Flat-bottom, Clear	1	100
CS0003-701101	CS0003-701111	96 Well Cell Culture Plate, U-bottom, Clear	1	100
CS0003-701201	CS0003-701211	96 Well Cell Culture Plate, V-bottom, Clear	1	100
CS0003-761001	CS0003-761011	384 Well Cell Culture Plate, Flat-bottom, Clear	1	100
CS0003-761301	CS0003-761311	384 Well Cell Culture Plate, Flat-bottom, Black	1	100
CS0003-761601	CS0003-761611	384 Well Cell Culture Plate, Flat-bottom, White	1	100
CS0003-714011	CS0003-714001	6 Well Low Evap EDGE Cell Culture Plate, Flat-bottom, Clear	1	50
CS0003-713011	CS0003-713001	96 Well Low Evap EDGE Cell Culture Plate, Flat-bottom	1	100
CS0003-701301	CS0003-701311	96 Well Cell Culture Plate, Flat bottom, White, Sterile	1	100
701701		96 wells clear bottom cell culture plate , Flat-bottom, White-frame	1	30
701401		96 wells clear bottom cell culture plate, Flat-bottom, Black-frame	1	30

Bulk, Individually plastic wrapped

TC Cat. No.	Product Description	/Pack	/Case
CS0003-703003	6 Well Cell Culture Plate, Flat-bottom, Clear	1	50
CS0003-712003	12 Well Cell Culture Plate, Flat-bottom, Clear	1	50
CS0003-702003	24 Well Cell Culture Plate, Flat-bottom, Clear	1	50
CS0003-748003	48 Well Cell Culture Plate, Flat-bottom, Clear	1	50
CS0003-701003	96 Well Cell Culture Plate, Flat-bottom, Clear	1	100
761003	384 Well Cell Culture Plate, Flat-bottom, Clear	1	100

Bulk, 10 qty/pk

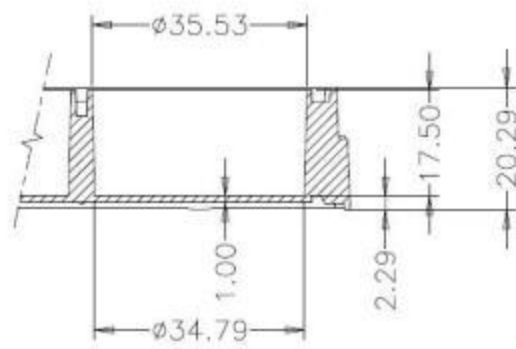
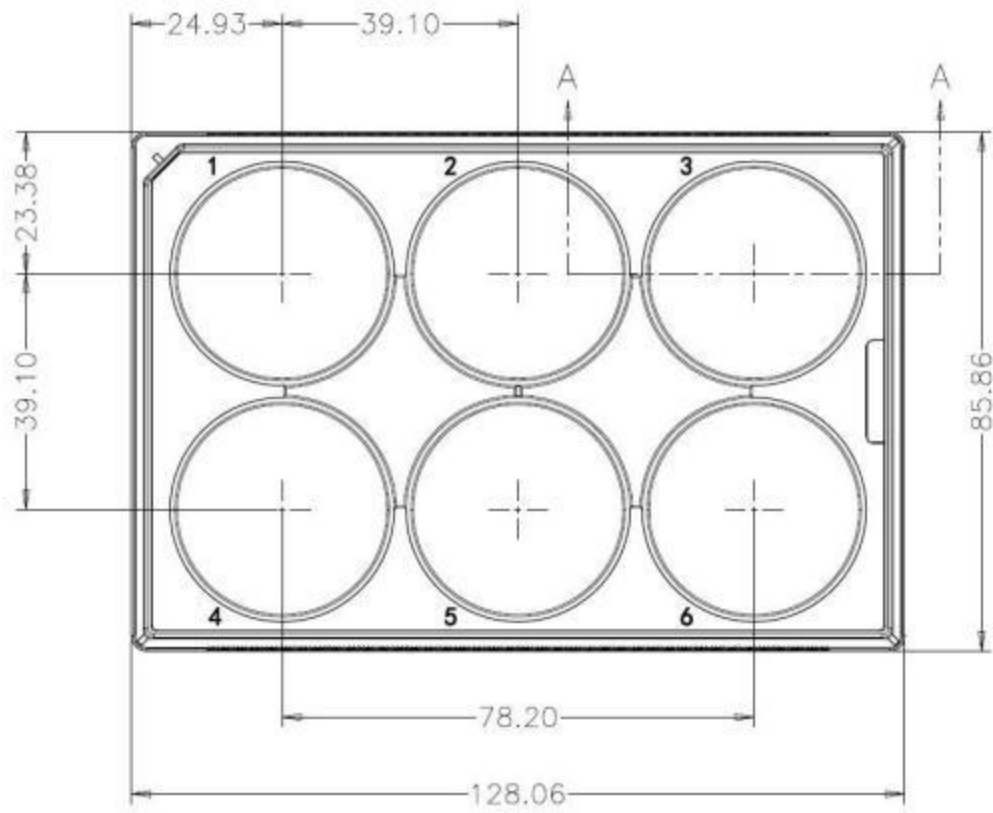
TC Cat. No.	Non-treated Cat.No.	Product Description	/Pack	/Case
CS0003-703002	703012	6 Well Cell Culture Plate, Flat-bottom, Clear	10	50
CS0003-712002	712012	12 Well Cell Culture Plate, Flat-bottom, Clear	10	50
CS0003-702002	702012	24 Well Cell Culture Plate, Flat-bottom, Clear	10	50
CS0003-748002	748012	48 Well Cell Culture Plate, Flat-bottom, Clear	10	50
CS0003-701002	701012	96 Well Cell Culture Plate, Flat-bottom, Clear	10	100
761002	761012	384 Well Cell Culture Plate, Flat-bottom, Clear	10	100

Recommend:

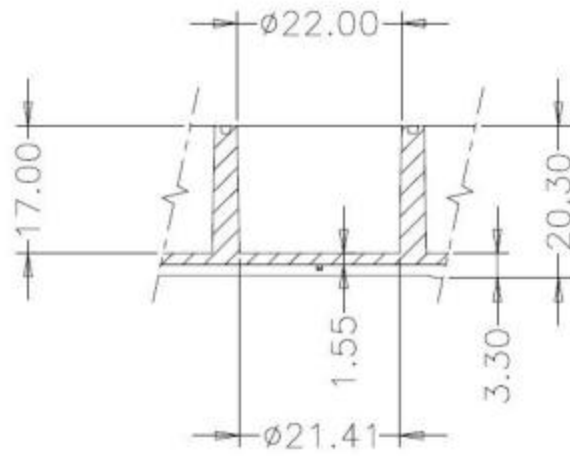
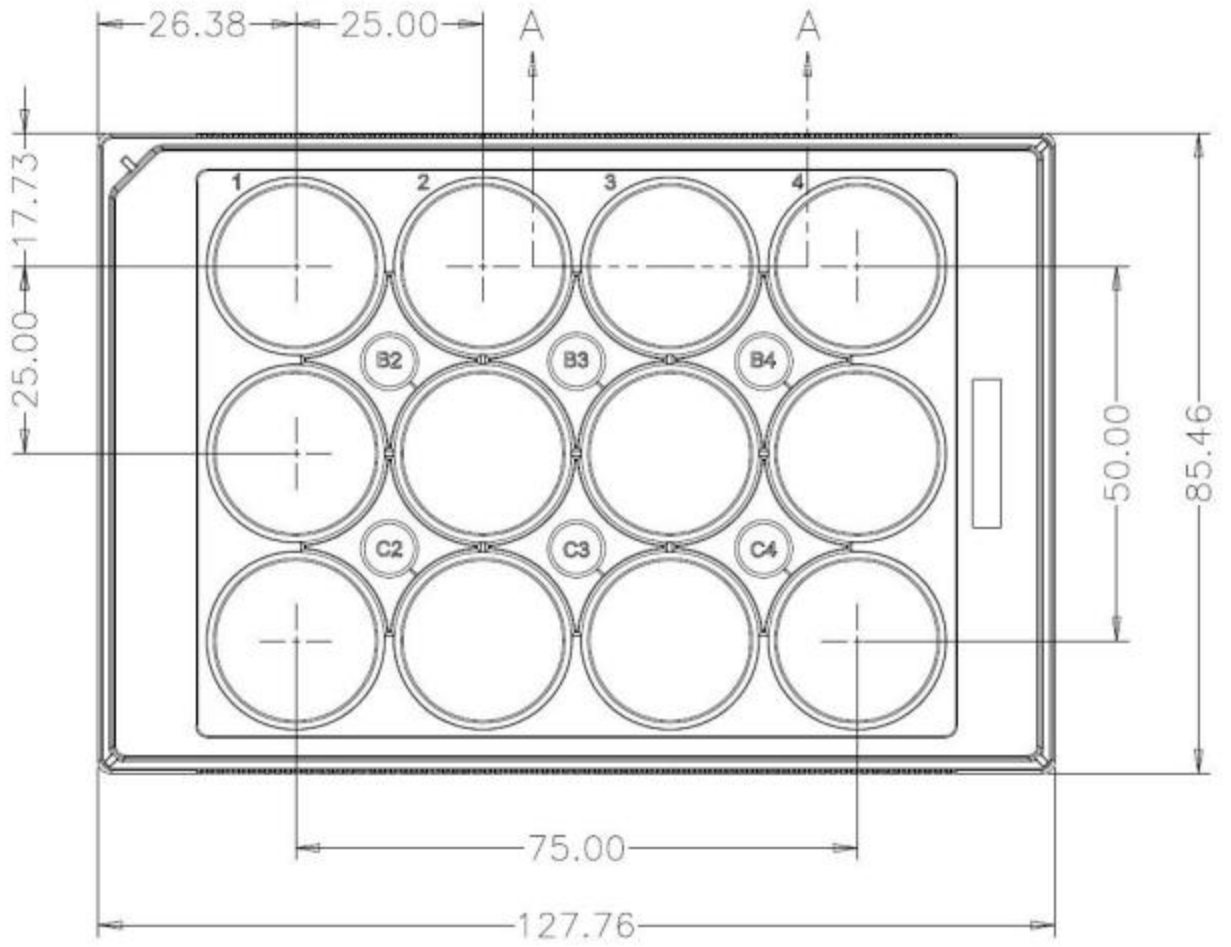
Product Type	Cell Growth Area (cm²)	Recommended Medium Volume (mL)
6 Well Cell Culture Plate	9.5	1.9~2.9
12 Well Cell Culture Plate	3.6	0.76~1.14
24 Well Cell Culture Plate	1.9	0.38~0.57
48 Well Cell Culture Plate	0.88	0.19~0.285
96 Well Cell Culture Plate, Flat-bottom	0.32	0.1~0.2
384 Well Cell Culture Plate	0.11	0.025~0.05
96 Well Cell Culture Plate, U-bottom	0.66	0.1-0.2
96 Well Cell Culture Plate, V-bottom	0.41	0.1-0.2

Technical Drawing

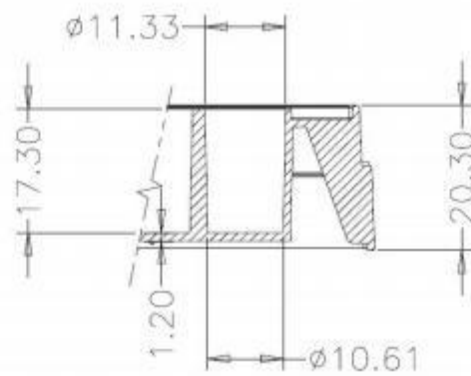
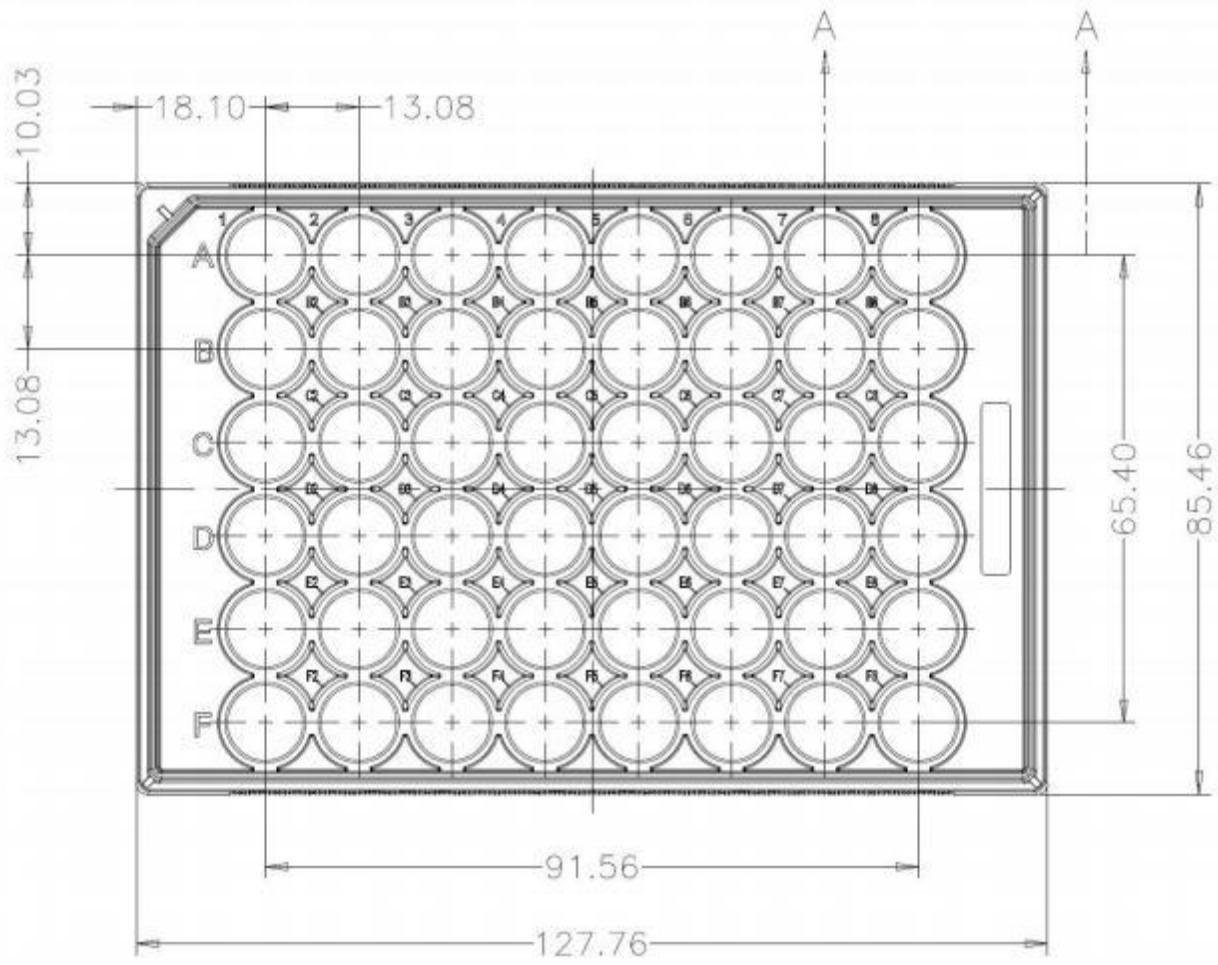
6 well cell culture plate



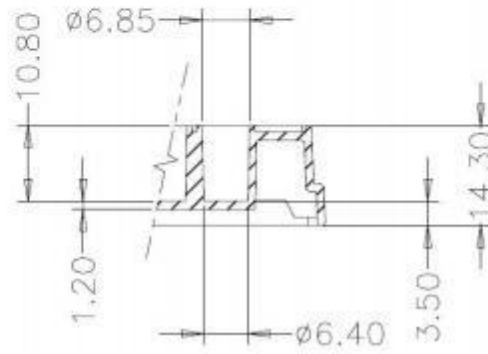
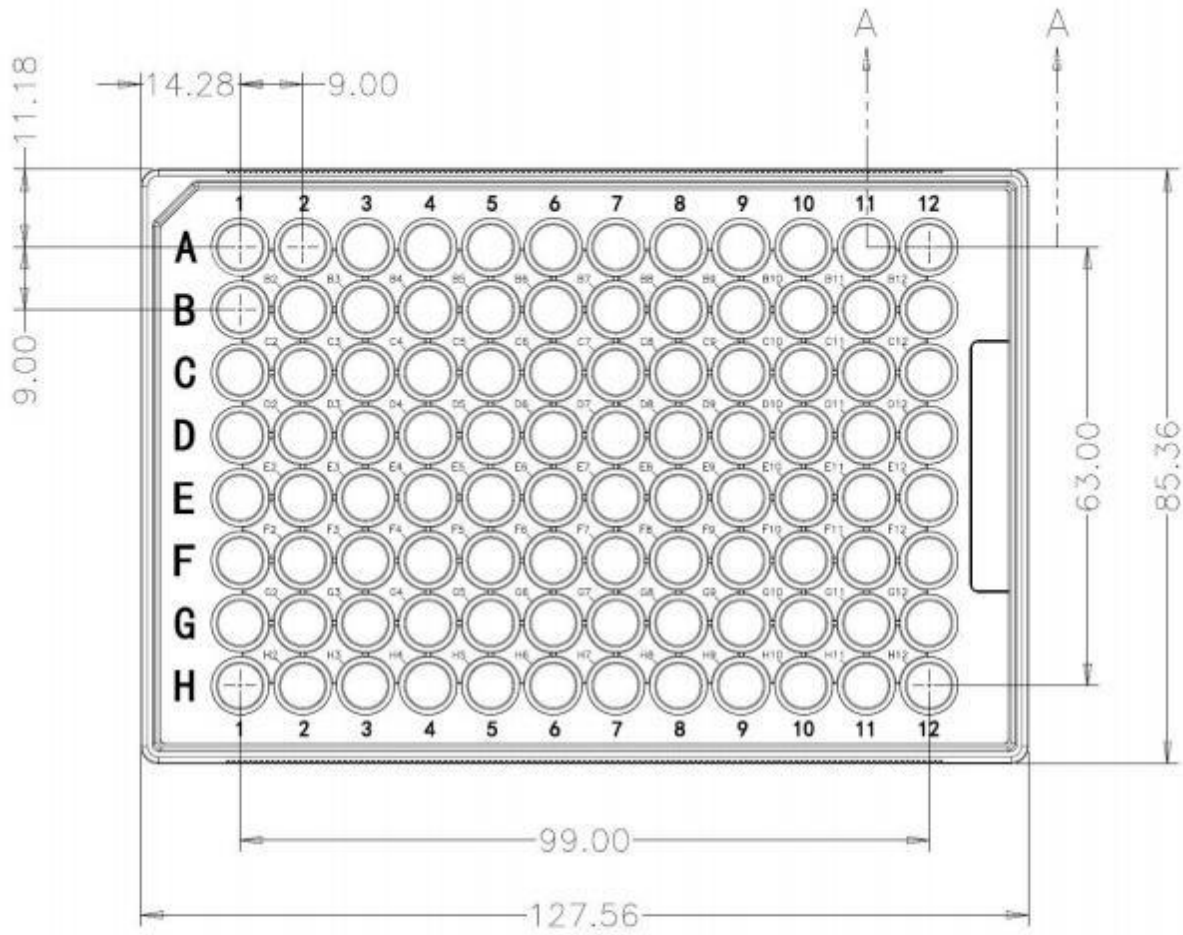
12 well cell culture plate



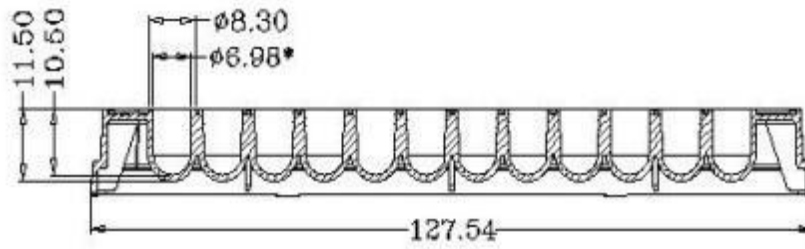
48 well cell culture plate



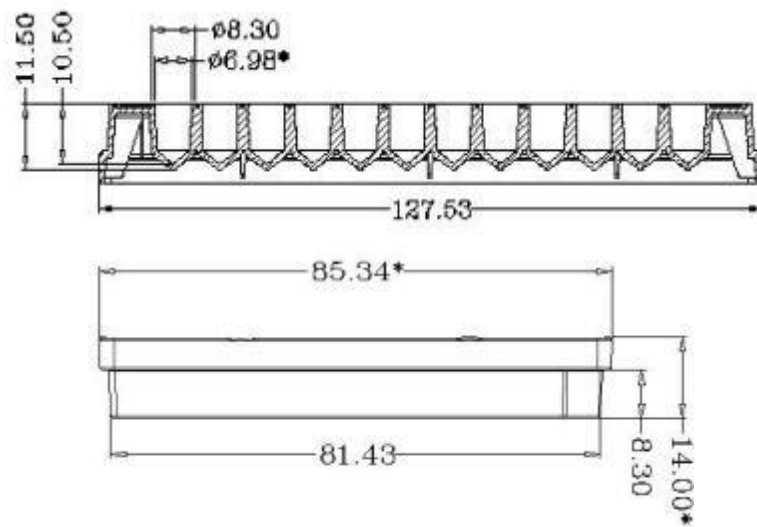
96 well cell culture plate
Flat bottom



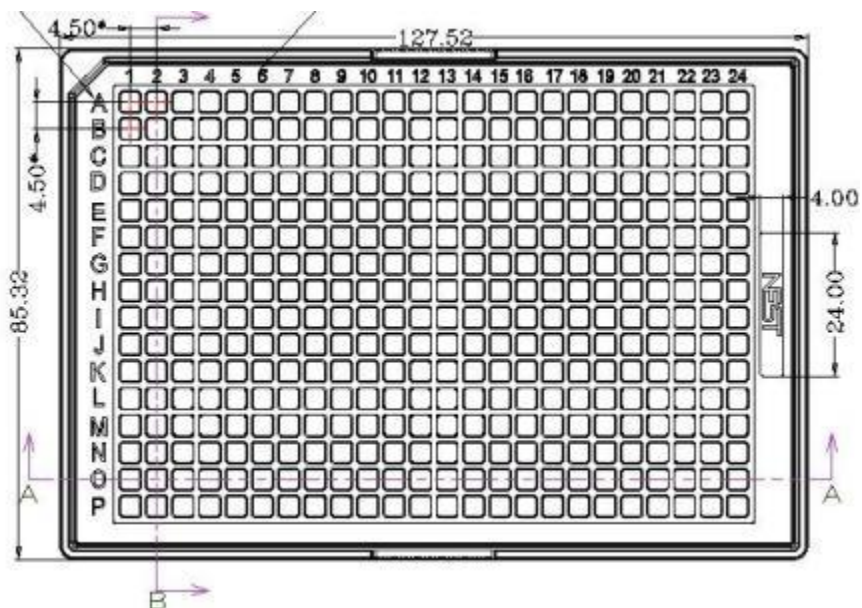
U-bottom



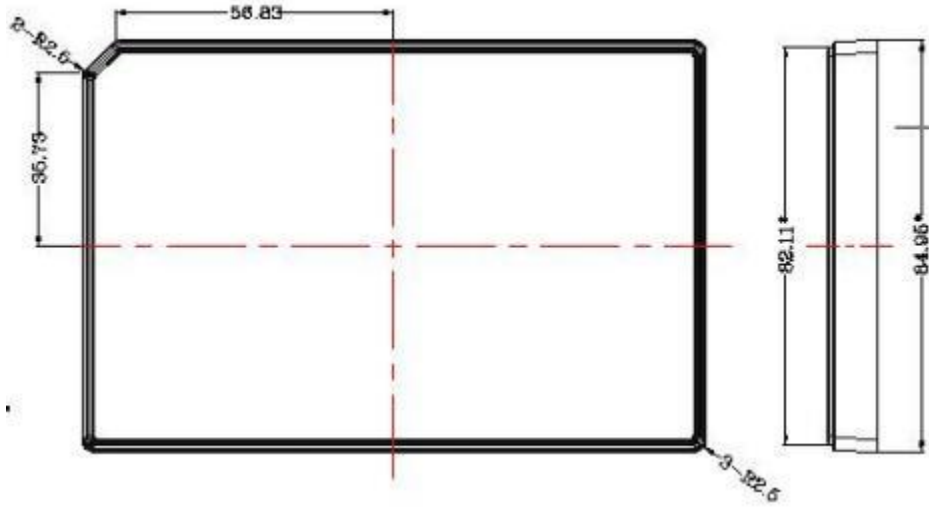
V-bottom



384 well cell



culture plate



96 wells clear bottom cell culture plate

