

Product Name:	Cell Culture Dishes
Product Application:	NEST cell culture dishes are ideal for all types of culturing where microscopic observation is required. Numeric marks on the bottom of each dish allow users to identify the location of cells.
Product Materials:	Polystyrene (PS) Meets <i>USP, Class VI standards</i>
product Specifications:	Temperature range: stored at room temperature Shelf life: 3 Years after date of production (ensure package is in good)
Sterilization:	Yes. Sterilized by E-beam, Sterility Assurance Level: SAL=10 ⁻⁶ . The product has been irradiated and dosimetrically released based on ANSI/AAMI/ISO 11137
Pyrogens:	Non-Pyrogenic
RNase/DNase:	DNase/RNase free
BSE/TSE:	These products are deemed animal free.
Performance Testing:	Each manufacturing lot is sampled and tested in accordance with standard operating procedures. Appearance inspection: qualified Flatness test: qualified Hydrophilic test: qualified Cell culture test: qualified Packaging inspection: qualified
Features	<ol style="list-style-type: none"> 1. High clarity polystyrene 2. Flat transparent surface for distortion-free observation 3. TC treated: Vacuum Plasma tissue culture treatment, excellent cell adherence 4. Stackable for easy storage and handling

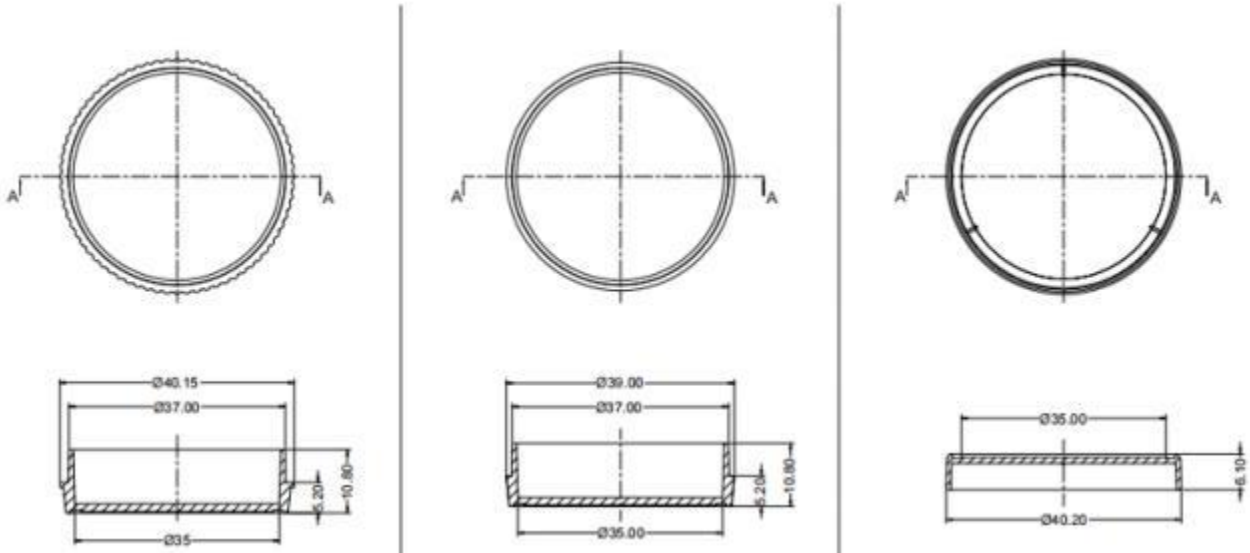
Product Range

Cat. No.	Spec		Cell Growth Area(cm ²)	Recommended Medium Volume (mL)	/Pack	/Case
	Type	Height(mm)				
CS0004-706001	35	12	8.5	1.8-2.7	20	500
706201(NEW)	35(With Griping Ring)	12	8.5	1.8-2.7	20	500

CS0004-705001	60	12	22.9	4.2-6.3	20	500
CS0004-704004	100	20	57.6	11-16.5	5	300
CS0004-704002	100	20	57.6	11-16.5	10	300
CS0004-704001	100	20	57.6	11-16.5	20	300
CS0004-704202	100(With Griping Ring)	20	59.3	11-16.5	10	300
CS0004-704201	100(With Griping Ring)	20	59.3	11-16.5	20	300
CS0004-715001	150	25	150.1	30.4-45.6	5	100

Technical Drawing

35mm cell culture dishes

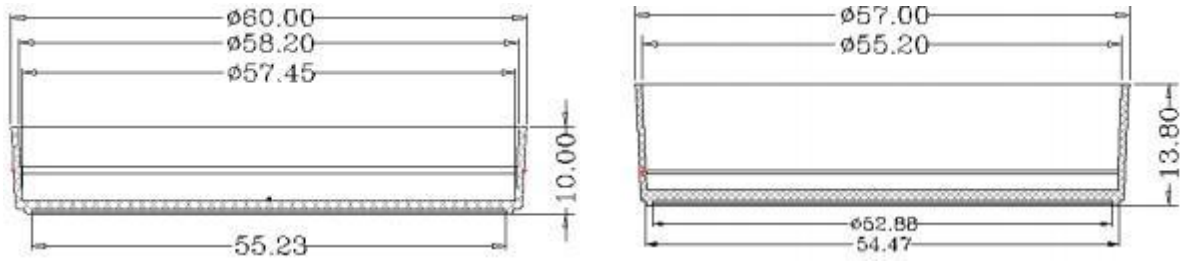


bottom of 35mm cell culture dish
(with tooth ring)

bottom of 35mm cell culture dish

cap of 35mm cell culture dish

60mm cell culture dishes



10.00

13.80

100mm cell culture dishes

