



## Product Range

### Cell Culture Slides

Cat. No.	Number of Wells	Growth Area/well(cm <sup>2</sup> )	Working Volume/Well(mL)	Color	Material (Chamber/Glass/Frame)	/Pack	/Case
CS0006-230101	1-Well	9.40	2.50-5.50	Clear	PS/Glass/PP	6	72
CS0006-230102	2-Well	4.55	1.20-2.50	Clear	PS/Glass/PP	6	72
CS0006-230104	4-Well	2.13	0.50-1.30	Clear	PS/Glass/PP	6	72
CS0006-230108	8-Well	0.98	0.20-0.60	Clear	PS/Glass/PP	6	72
CS0006-230121	1-Well	9.40	2.50-5.50	White	PS/Glass/PP	6	72
CS0006-230122	2-Well	4.55	1.20-2.50	White	PS/Glass/PP	6	72
CS0006-230124	4-Well	2.13	0.50-1.30	White	PS/Glass/PP	6	72
CS0006-230128	8-Well	0.98	0.20-0.60	White	PS/Glass/PP	6	72
CS0006-230111	1-Well	9.40	2.50-5.50	Black	PS/Glass/PP	6	72
CS0006-230112	2-Well	4.55	1.20-2.50	Black	PS/Glass/PP	6	72
CS0006-230114	4-Well	2.13	0.50-1.30	Black	PS/Glass/PP	6	72
CS0006-230118	8-Well	0.98	0.20-0.60	Black	PS/Glass/PP	6	72

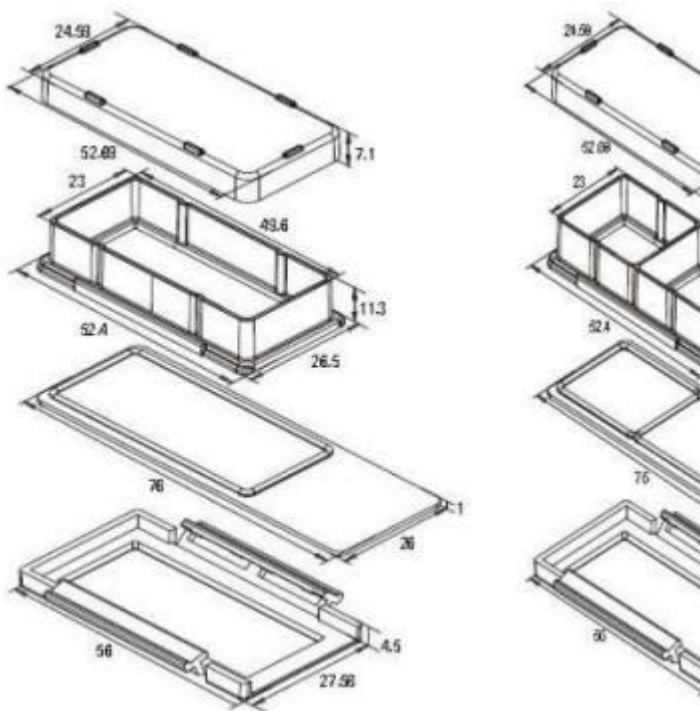
## Product Dimensions

	Length(mm)	Width(mm)	Height(mm)
<b>Lid</b>	24.59	52.69	7.10
<b>Chamber</b>	26.50	52.40	11.30
<b>Slide</b>	26.00	76.00	1.00
<b>Frame</b>	27.58	56.00	4.50

## Well Dimension

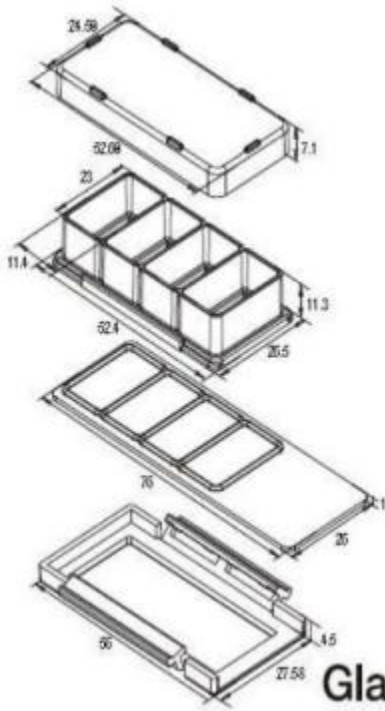
	Length(mm)	
1-Well	49.60	
2-Well	23.00	
4-Well	23.00	
8-Well	11.50	

## Technical Drawing



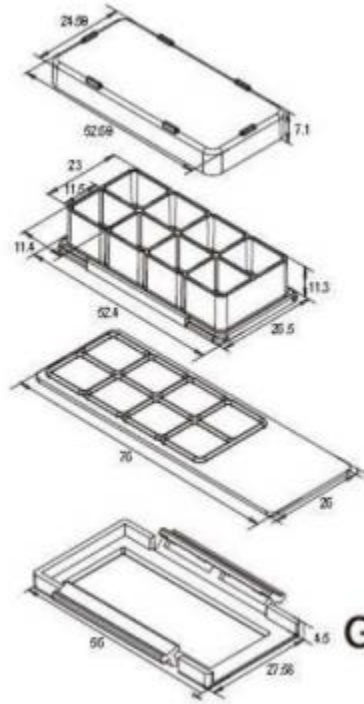
1-Well

2Well



**Glass Bottom**

**4-Well**



**Glass Bottom**

**8-Well**