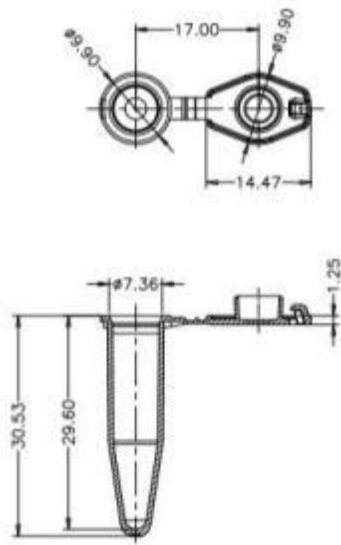


Product Name:	Microcentrifuge Tubes
Product Application:	<p>NEST centrifuge tubes could be commonly used to collect cells and separate biomacromolecules by centrifugation in biochemistry and other biological fields.</p> <p>Available in two colors: Amber and clear. Amber centrifuge tubes can also be used to store photosensitive samples and special chemiluminescence reagents.</p>
Product Materials:	<p>polypropylene (PP).</p> <p>Meets <i>USP, Class VI standards</i></p>
product Specifications:	<p>Temperature range: stored at room temperature</p> <p>Shelf life: 5 Years after date of production (ensure package is in good)</p>
Sterilization:	<p>Yes (some of all catalog numbers).</p> <p>Sterilized by E-beam, Sterility Assurance Level: SAL=10⁻⁶. The product has been irradiated and dosimetrically released based on ANSI/AAMI/ISO 11137</p>
Pyrogens:	Non-Pyrogenic
RNase/DNase:	DNase/RNase free
BSE/TSE:	These products are deemed animal free.
Performance Testing:	<p>Each manufacturing lot is sampled and tested in accordance with standard operating procedures.</p> <p>Appearance inspection: qualified Sealing test: qualified</p> <p>Freeze testing: qualified Packaging inspection: qualified</p>
Features	<ol style="list-style-type: none"> Using imported PP materials, resistant to chemical corrosion and low temperature, compliant to USP Class-6 standard. Ultra-high centrifugal stability, centrifugal tolerance up to 30000xg Clear graduations and frosted marking area. Special safelock cap design provides secure lid sealing. Tube cap can be opened or closed with one hand, easy to operate. Withstand temperature ranging from -80 to 121°C . Available in sterile or unsterile options. None of DNA\RNA enzyme, Endotoxin unit less than 0.1 EU. Available in two colors: Amber and clear. <p>Amber centrifuge tubes can be used to store photosensitive samples and special chemiluminescence reagents.</p>

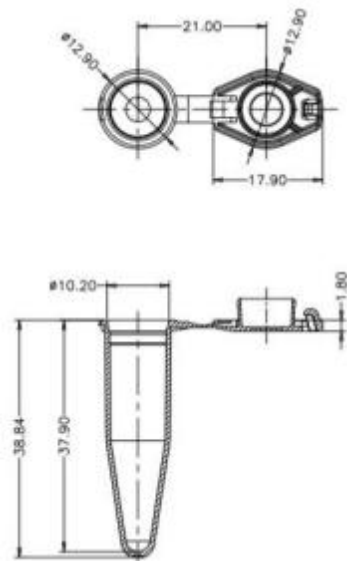
Product Name:	Micro Tube Box
Product Application:	<p>Centralized storage of microtubes.</p> <p>Low temperature resistant, can be used for low temperature centralized storage of biological samples in microtubes.</p>
Product Materials:	Polypropylene, PP (base) + polycarbonate, PC (cover)

Technical Drawing

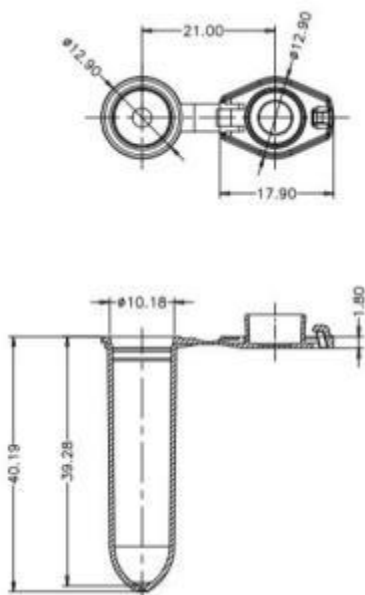
0.6 mL



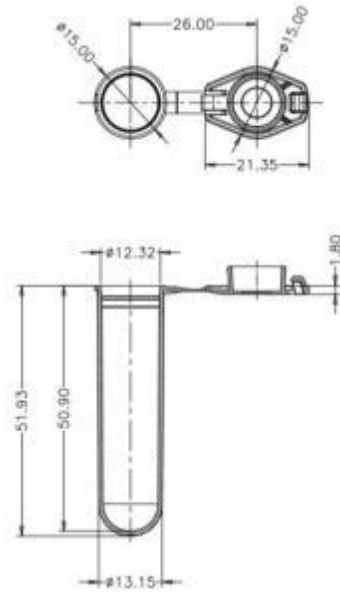
1.5 mL



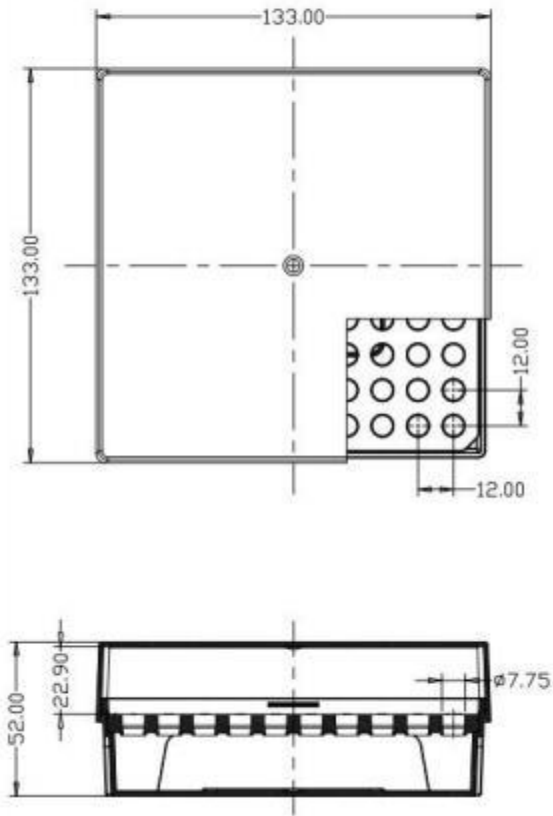
2.0 mL



5.0 mL



0.6ml Micro Centrifuge Tube Box(10*10)



1.5/2.0ml Micro Centrifuge Tube Box(8*8)

