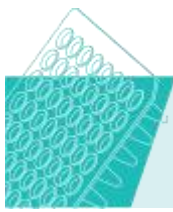


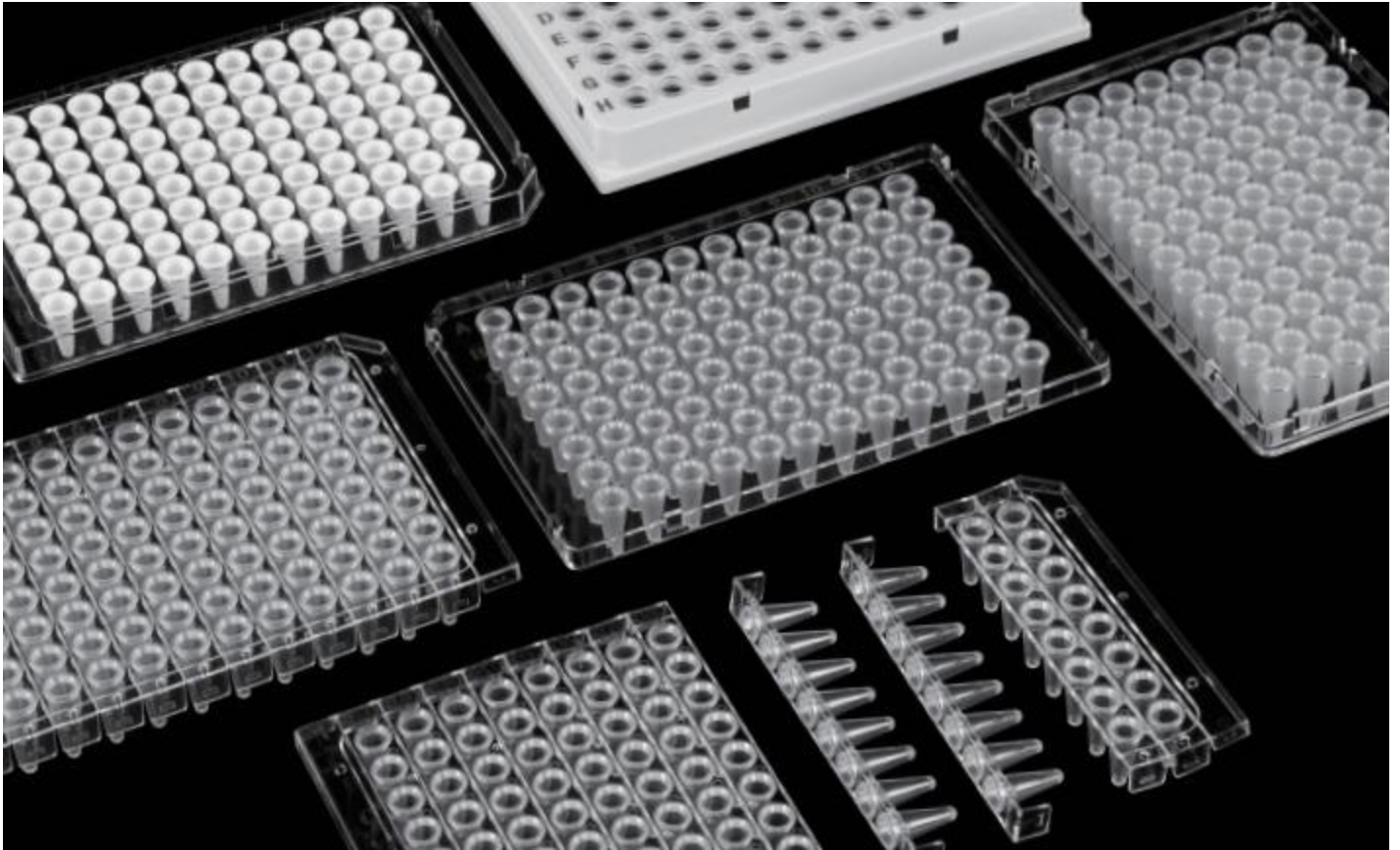
# NESTDuoMatPCRplates

Increase Seal Quality, Reduce Sample Evaporation    Improve PCR Performance and Save Reagent Cost

NEST DuoMat PCR plates utilize polypropylene for the tubes and polycarbonate for the frame, combining the advantages of two materials to reduce sample evaporation and to optimize PCR performance.



# 96 well Duo Material PCR plate



NEST DuoMat PCR plates prevent sample loss by minimizing thermal expansion during PCR, enabling reductions in PCR volumes and cost savings on reagents.

The 2-component design combines the advantages of thin walled polypropylene (PP) tubes, for optimum PCR results, with a rigid polycarbonate (PC) frame for highest thermal stability and rigidity, making them the plates of choice for any robotic workflows.

- **No warping due to stable polycarbonate frame**

Reliable use with stackers and liquid handlers

- **Minimizing thermal expansion**

Better sealing properties & reduced evaporation for improved PCR consistency

- **Downscaling of reaction volumes possible**

Due to the much-improved seal integrity, reaction volumes can often be reduced when using Nest DuoMat plates Standard and custom barcoding options available

- **Standard and custom barcoding options available**

Error-free sample tracking

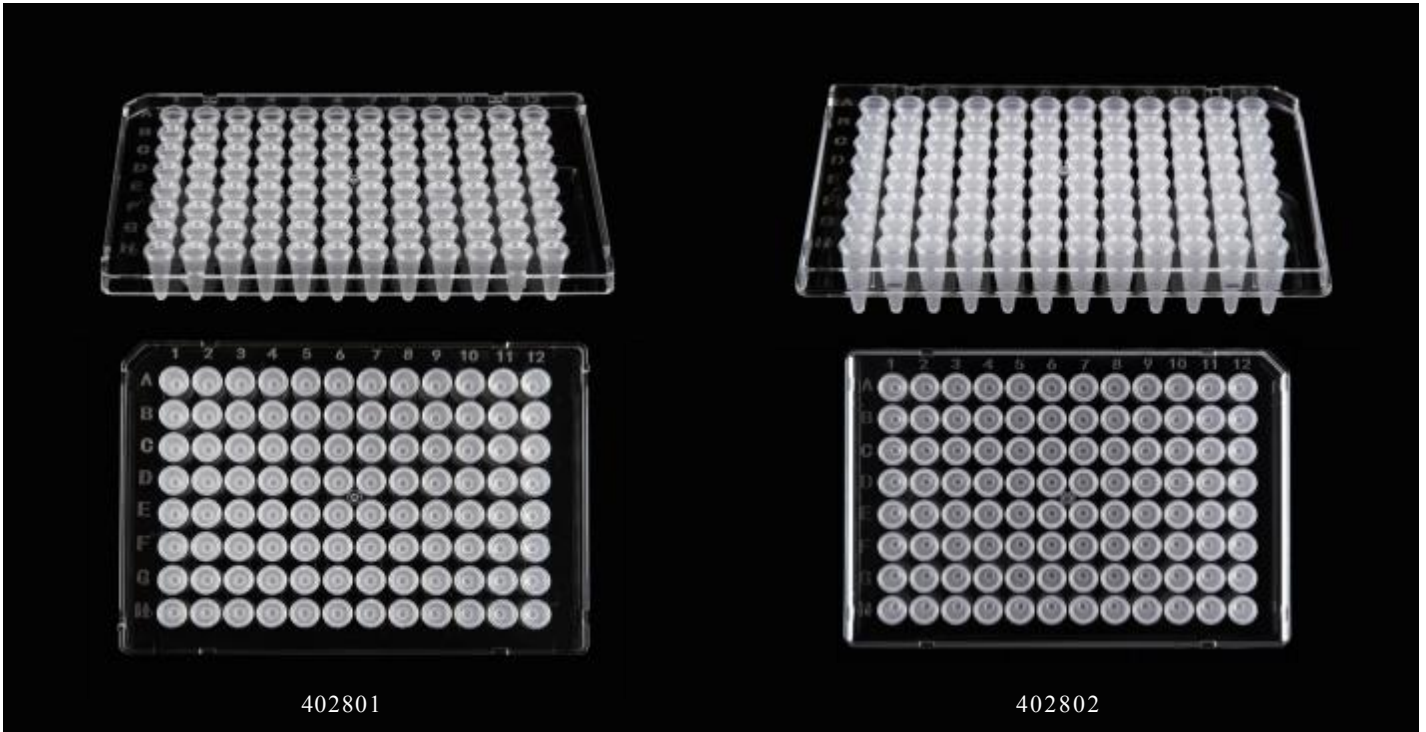
- **Improve consistency of PCR results**

Ideal for use with robotic grippers

- **Free from DNase, RNase, human genomic DNA, and endotoxin/pyrogen**



# Half-skirted, Clear Frosted Wells, ABI Style

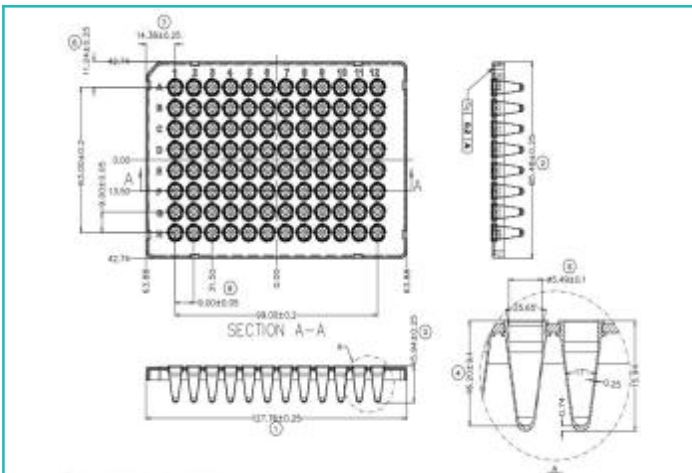


- Available as high and low profile plates to suit your reaction volume and instrument format
- Frosted plates can significantly increase signal-to-noise ratio when compared to natural plates. They are designed for ABI real time PCR machines to minimize interfering fluorescence from wells of cycling block.



## 0.1mL 96 well Duo Material PCR plate

Cat.NO.	402801
Skirt Type	Half-skirted
Well Color	Clear Frosted Wells
Frame Color	Clear Frame
Application	For ABI
Packing	10/Pack, 50/Case
Other	Low binding
Cutting Corner	A1



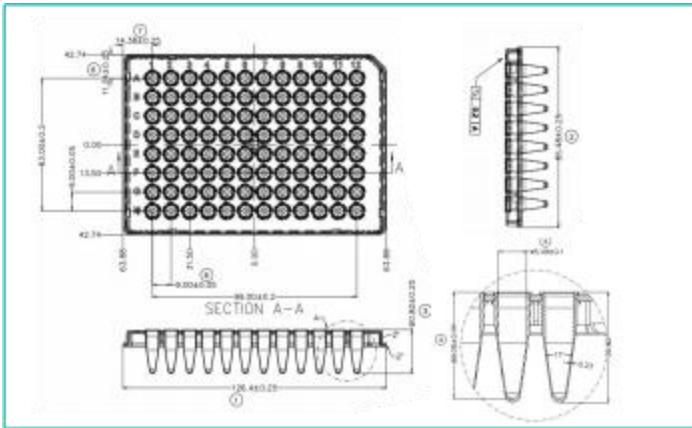
## Specifications

Parameter	Value
Plate length	127.76 ± 0.25mm
Plate width	85.48 ± 0.25mm
Plate height	15.94 ± 0.25mm
Well depth	15.2 ± 0.25mm
Well diameter	5.49 ± 0.10mm
Distance to center of A1 from top edge	11.24 ± 0.25mm
Distance to center of A1 from left edge	14.38 ± 0.25mm
Pitch (distance between A1 and A2)	9.00 mm

## Half-skirted, Clear Frosted Wells, ABI Style



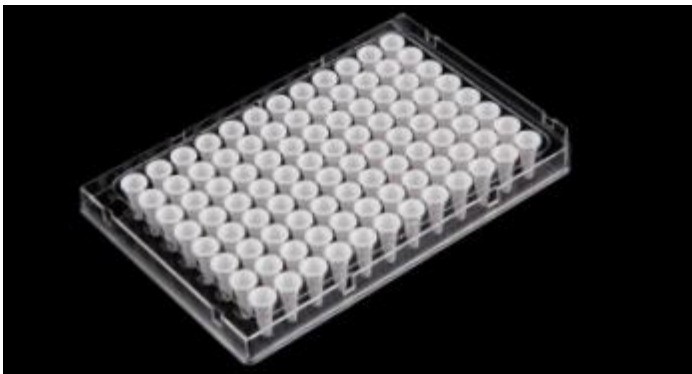
Cat.NO.	402802
Skirt Type	Half-skirted
Well Color	Clear Frosted Wells
Frame Color	Clear Frame
Application	For ABI
Packing	10/Pack, 50/Case
Other	Low binding
Cutting Corner	A12



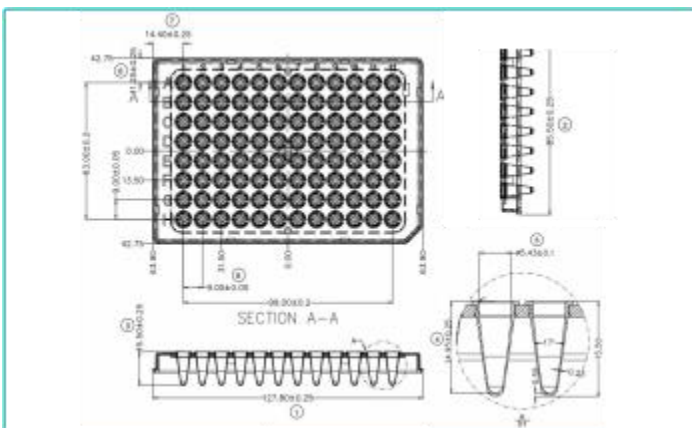
Specifications	
Parameter	Value
Plate length	126.4 ± 0.25mm
Plate width	85.48 ± 0.25mm
Plate height	20.82 ± 0.25mm
Well depth	20.08 ± 0.25mm
Well diameter	5.49 ± 0.10mm
Distance to center of A1 from top edge	11.24 ± 0.25mm
Distance to center of A1 from left edge	14.38 ± 0.25mm
Pitch (distance between A1 and A2)	9.00 mm

## Half-skirted, White Wells, Roche Style

Low profile, 0.1ml polypropylene wells, polycarbonate frame, cut corner H12; working volume: <100µl, total well capacity: 200µl; designed for use on Roche LightCycler® 96 and 480

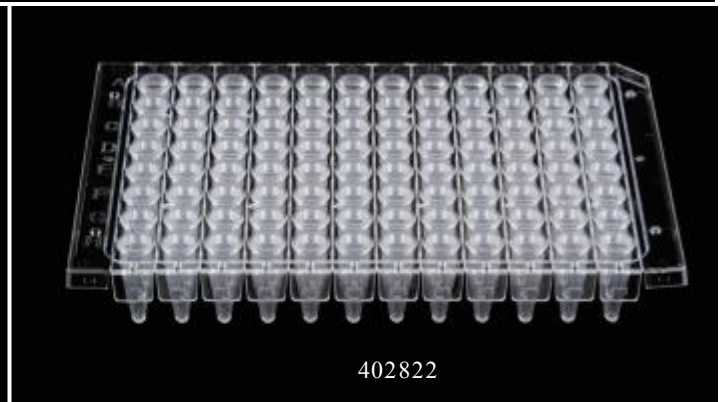
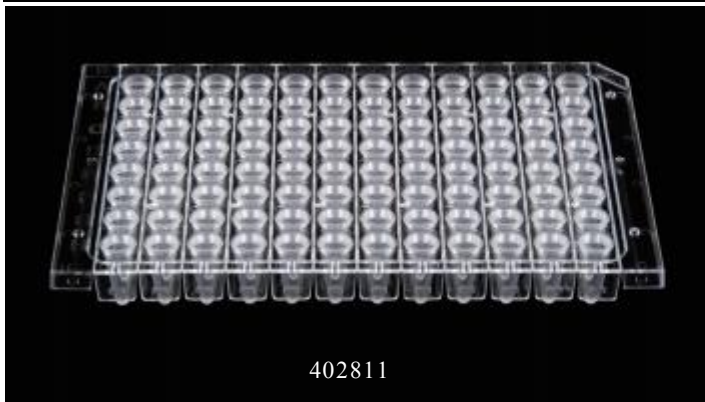
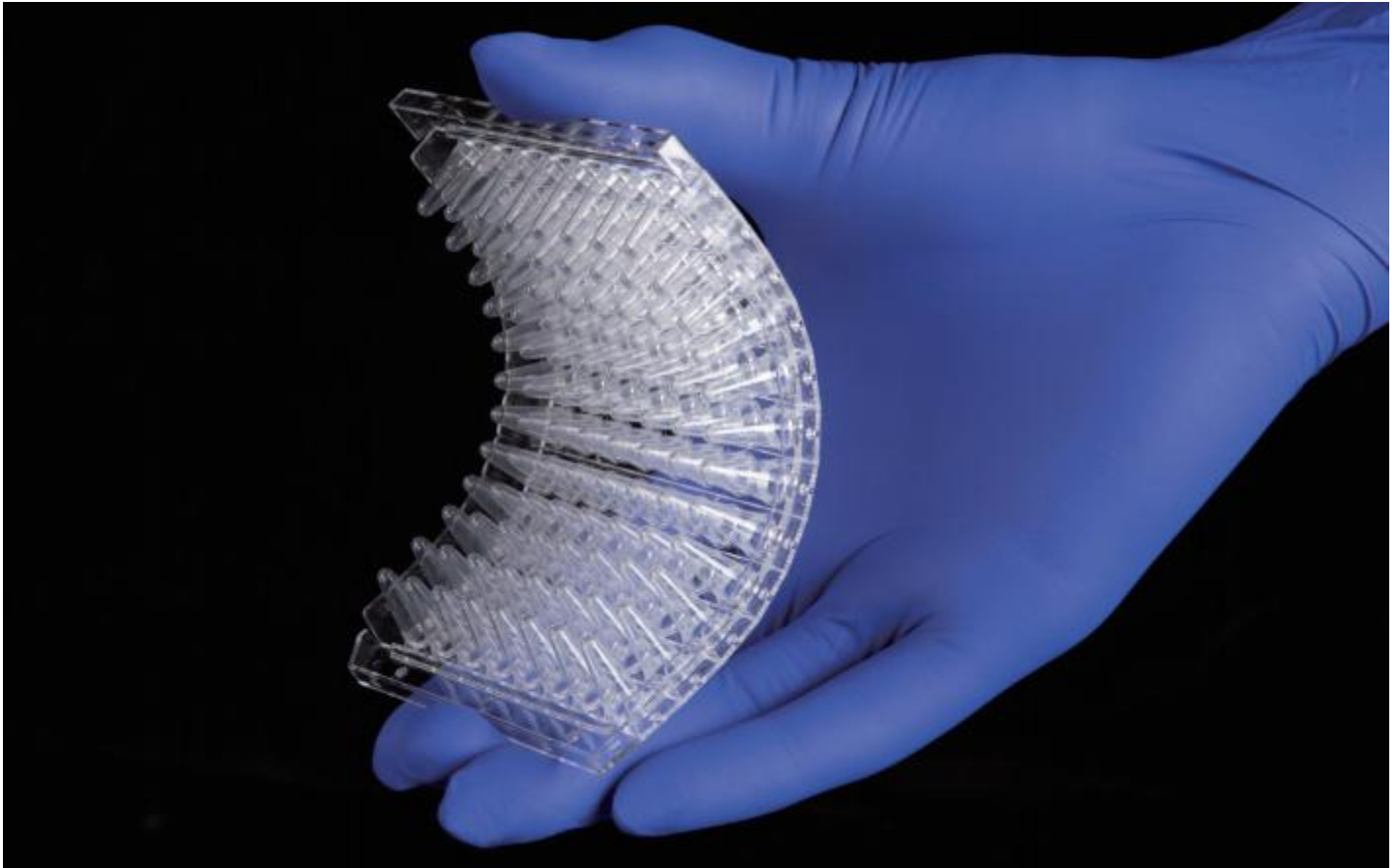


0.1mL 96 well Duo Material PCR plate	
Cat.NO.	402803
Skirt Type	Half-skirted
Well Color	White Well
Frame Color	Clear Frame
Application	For Roche
Packing	10/Pack, 50/Case
Other	Low binding
Cutting Corner	H12



Specifications	
Parameter	Value
Plate length	127.8 ± 0.25mm
Plate width	85.5 ± 0.25mm
Plate height	15.5 ± 0.25mm
Well depth	14.95 ± 0.25mm
Well diameter	5.43 ± 0.10mm
Distance to center of A1 from top edge	11.25 ± 0.25mm
Distance to center of A1 from left edge	14.40 ± 0.25mm
Pitch (distance between A1 and A2)	9.00 mm

# Half-skirted, White Wells, Detachable, ABI Style

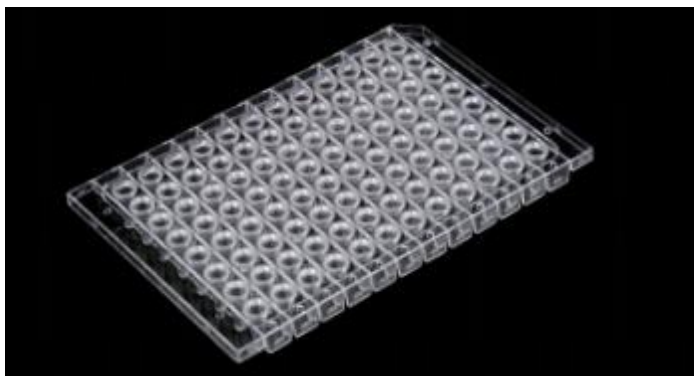


NEST DuoMat Detachable PCR Plates can be easily divided into smaller plate sections, ensuring no tubes are wasted.

The two-component design minimizes evaporation allowing for the downscaling of reaction volumes and the breakability of the plates offers flexibility to suit your experiment size. Once broken down, strips remain straight and stable for ease of handling and to enable effortless sample tracking if 2D coded.

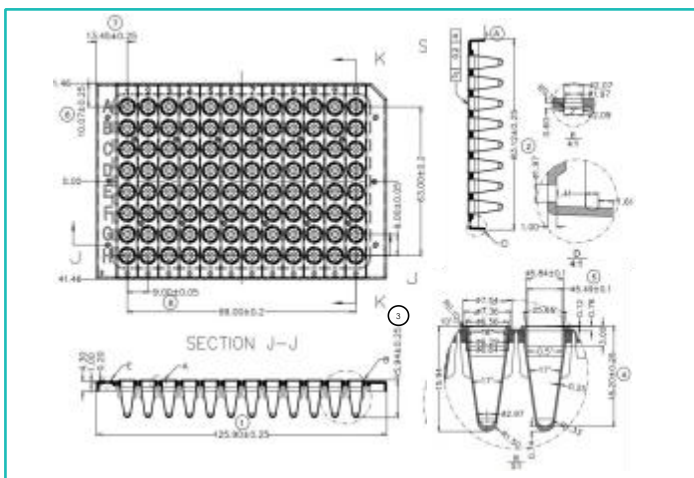
- Dividable vertically, or both vertically and horizontally
- Flexible solutions for every application
- Available as high and low profile plates to suit your reaction volume and instrument format
- Highest instrument compatibility
- 2D coded options available
- Error-free sample tracking
- Plate segmentation can be automated

# Half-skirted, White Wells, Detachable, ABI Style



## 0.1mL 96 well Duo Material PCR plate

Cat.NO.	402811
Skirt Type	Half-skirted
Well Color	White Well
Frame Color	Clear Frame
Application	For ABI
Packing	10/Pack, 50/Case
Other	Detachable, Low binding
Cutting Corner	A12



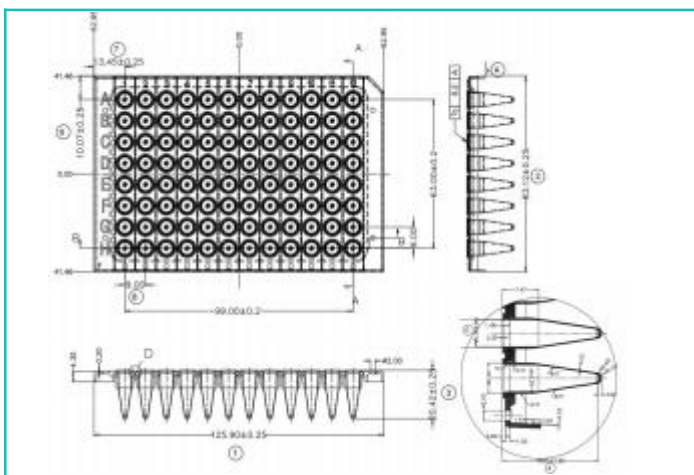
## Specifications

Parameter	Value
Plate length	125.90 ± 0.25mm
Plate width	83.12 ± 0.25mm
Plate height	15.94 ± 0.25mm
Well depth	15.2 ± 0.25mm
Well diameter	5.49 ± 0.10mm
Distance to center of A1 from top edge	10.07 ± 0.25mm
Distance to center of A1 from left edge	13.45 ± 0.25mm
Pitch (distance between A1 and A2)	9.00 mm



## 0.2mL 96 well Duo Material PCR plate

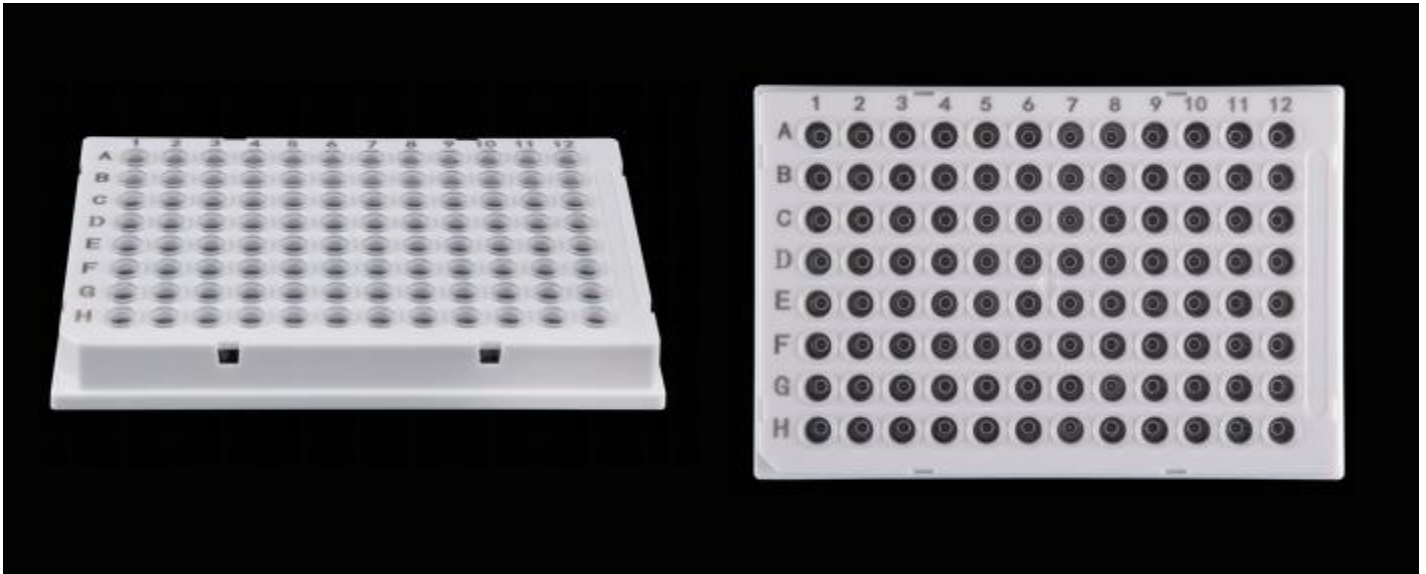
Cat.NO.	402822
Skirt Type	Half-skirted
Well Color	Clear Wells
Frame Color	Clear Frame
Application	For ABI
Packing	10/Pack, 50/Case
Other	Low binding
Cutting Corner	A12



## Specifications

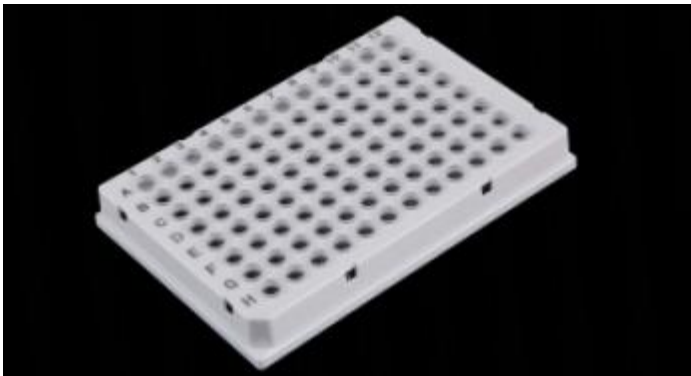
Parameter	Value
Plate length	126.4 ± 0.25mm
Plate width	85.48 ± 0.25mm
Plate height	20.82 ± 0.25mm
Well depth	20.08 ± 0.25mm
Well diameter	5.49 ± 0.10mm
Distance to center of A1 from top edge	11.24 ± 0.25mm
Distance to center of A1 from left edge	14.38 ± 0.25mm
Pitch (distance between A1 and A2)	9.00 mm

# Full-skirted, Clear Wells,



Low profile, 0.1 ml polypropylene wells, polycarbonate frame, cut corner H1; working volume: <math><100\ \mu\text{l}</math>, total well capacity: 200  $\mu\text{l}$

- The low profile wells of this plate are shorter than “standard” profile wells, which decrease the “dead space” between the heated lid of the thermal cycler and the sample in the well
- Eliminates condensation forming on the side wall of the tubes, preventing reduction in PCR volume and increasing the efficiency of the reaction
- Especially recommended for reaction volumes below 20  $\mu\text{l}$
- The rigid polycarbonate skirt of this design eliminates warping and distortion during PCR, and makes it ideal for use with robotic systems

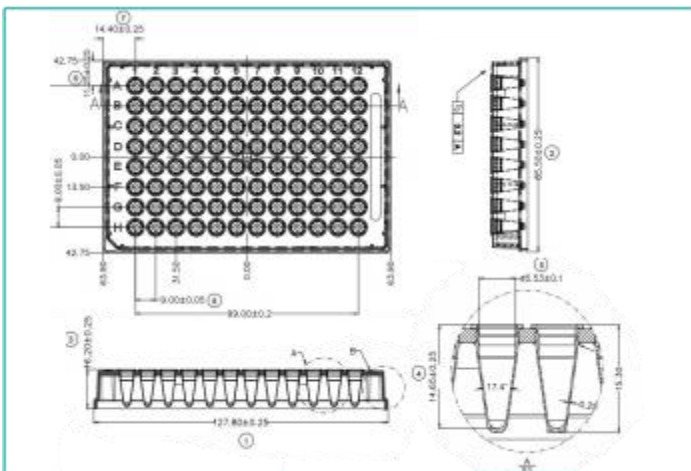


## 0.1ml 96 well Duo Material PCR plate

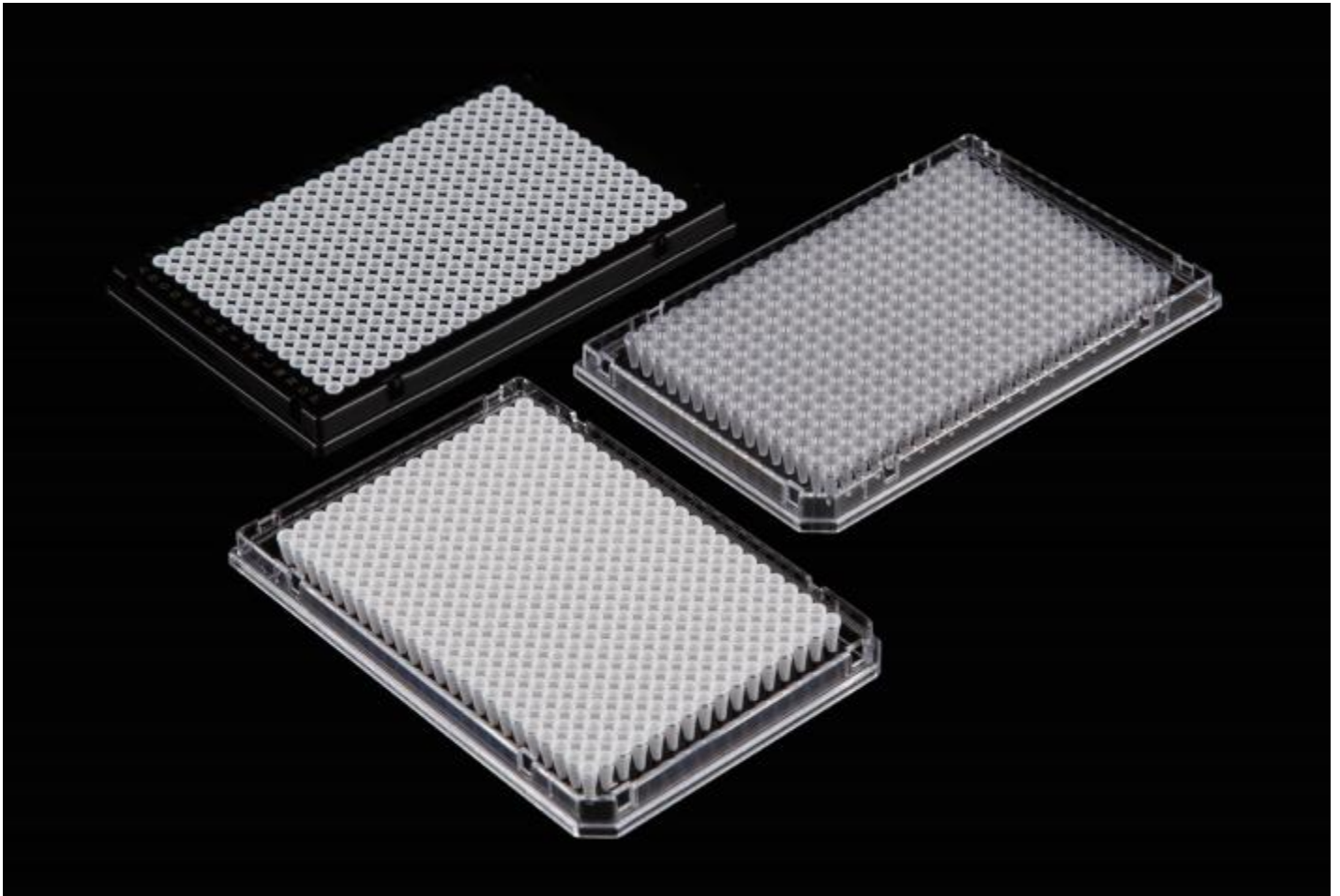
Cat.NO.	402804
Skirt Type	Full-skirted
Well Color	Clear Wells
Frame Color	White Frame
Application	/
Packing	10/Pack, 50/Case
Other	Low binding
Cutting Corner	H1

## Specifications

Parameter	Value
Plate length	127.8 $\pm$ 0.25mm
Plate width	85.5 $\pm$ 0.25mm
Plate height	16.20 $\pm$ 0.25mm
Well depth	14.65 $\pm$ 0.25mm
Well diameter	5.53 $\pm$ 0.10mm
Distance to center of A1 from top edge	11.25 $\pm$ 0.25mm
Distance to center of A1 from left edge	14.40 $\pm$ 0.25mm
Pitch (distance between A1 and A2)	9.00 mm



# 384 well Duo Material PCR plate



NEST DuoMat PCR plates prevent sample loss by minimizing thermal expansion during PCR, enabling reductions in PCR volumes and cost savings on reagents.

The 2-component design combines the advantages of thin walled polypropylene (PP) tubes, for optimum PCR results, with a rigid polycarbonate (PC) frame for highest thermal stability and rigidity, making them the plates of choice for any robotic workflows.

- **No warping due to stable polycarbonate frame**

Reliable use with stackers and liquid handlers

- **Minimizing thermal expansion**

Better sealing properties & reduced evaporation for improved PCR consistency

- **Downscaling of reaction volumes possible**

Due to the much-improved seal integrity, reaction volumes can often be reduced when using Nest DuoMat plates Standard and custom barcoding options available

- **Standard and custom barcoding options available**

Error-free sample tracking

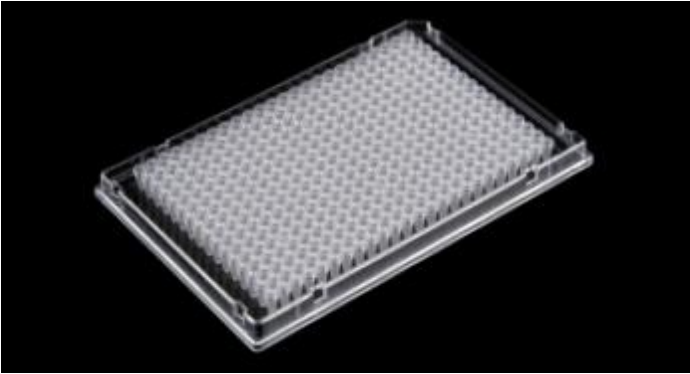
- **Improve consistency of PCR results**

Ideal for use with robotic grippers

- **Free from DNase, RNase, human genomic DNA, and endotoxin/pyrogen**

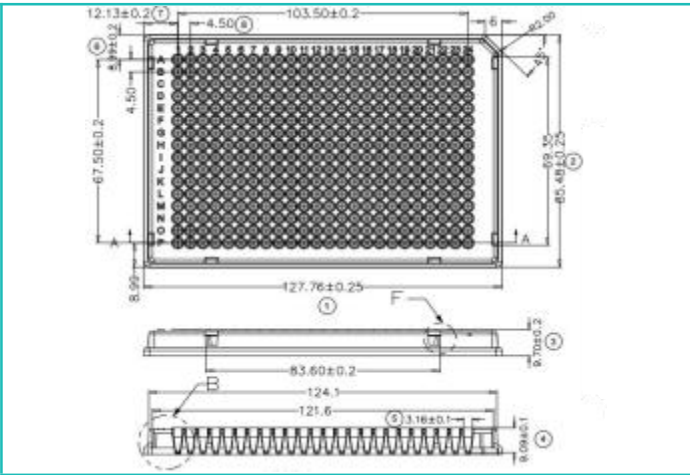


# 384 well Duo Material PCR plate, ABI style



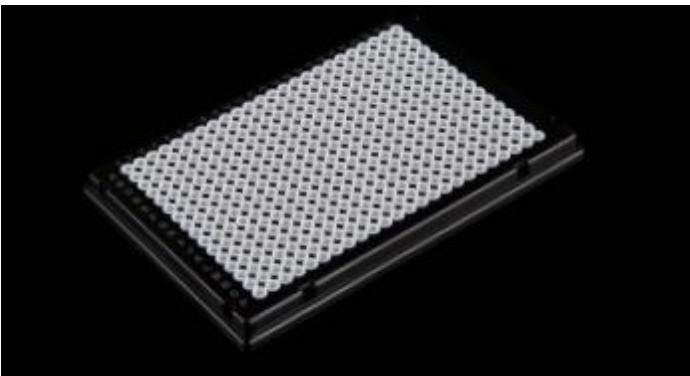
## 40 ul 384 well Duo Material PCR plate

Cat.NO.	402901
Skirt Type	Full-skirted
Well Color	Clear Frosted Wells
Frame Color	Clear Frame
Application	For ABI
Packing	10/Pack, 50/Case
Other	Low binding
Cutting Corner	A24



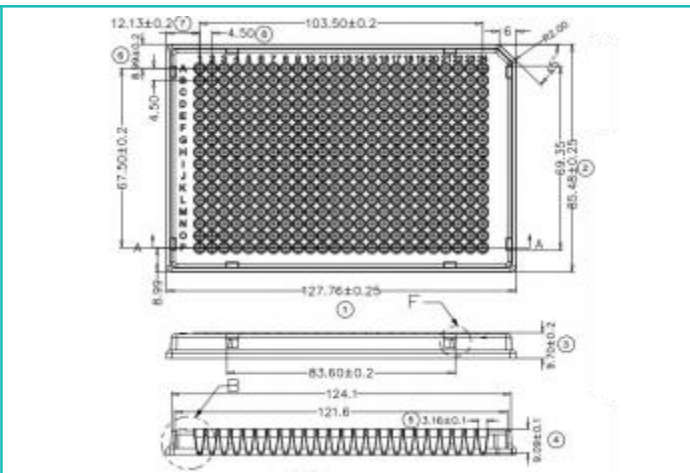
## Specifications

Parameter	Value
Plate length	127.76 ± 0.25mm
Plate width	85.48 ± 0.25mm
Plate height	9.7 ± 0.20mm
Well depth	9.09 ± 0.10mm
Well diameter	3.16 ± 0.10mm
Distance to center of A1 from top edge	8.99 ± 0.20mm
Distance to center of A1 from left edge	12.13 ± 0.20mm
Pitch (distance between A1 and A2)	4.5 mm



## 40 ul 384 well Duo Material PCR plate

Cat.NO.	402903
Skirt Type	Full-skirted
Well Color	White Well
Frame Color	Black Frame
Application	For ABI
Packing	10/Pack, 50/Case
Other	Low binding
Cutting Corner	A24

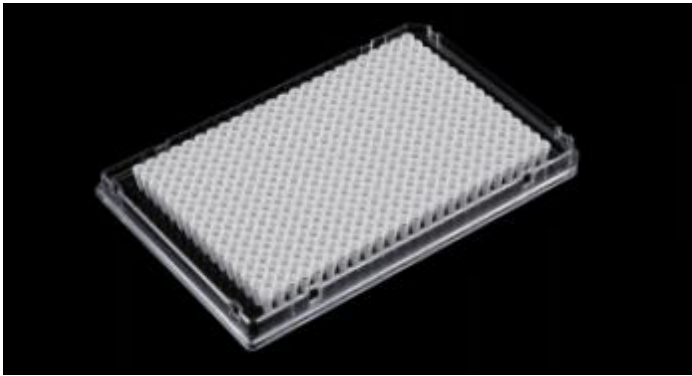


## Specifications

Parameter	Value
Plate length	127.76 ± 0.25mm
Plate width	85.48 ± 0.25mm
Plate height	9.7 ± 0.20mm
Well depth	9.09 ± 0.10mm
Well diameter	3.16 ± 0.10mm
Distance to center of A1 from top edge	8.99 ± 0.20mm
Distance to center of A1 from left edge	12.13 ± 0.20mm
Pitch (distance between A1 and A2)	4.5 mm

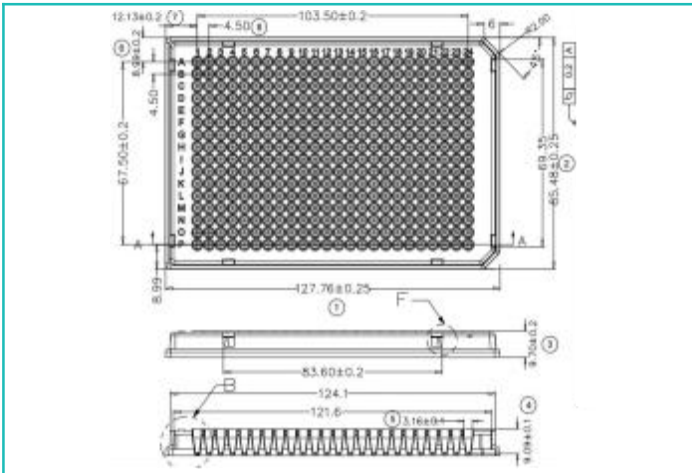


# 384 well Duo Material PCR plate, Roche style



## 40 ul 384 well Duo Material PCR plate

Cat.NO.	402902
Skirt Type	Half-skited
Well Color	White Well
Frame Color	Clear Frame
Application	For Roche
Packing	10/Pack, 50/Case
Other	Low binding
Cutting Corner	A24, P24



## Specifications

Parameter	Value
Plate length	$127.76 \pm 0.25$ mm
Plate width	$85.48 \pm 0.25$ mm
Plate height	$9.7 \pm 0.20$ mm
Well depth	$9.09 \pm 0.10$ mm
Well diameter	$3.16 \pm 0.10$ mm
Distance to center of A1 from top edge	$8.99 \pm 0.20$ mm
Distance to center of A1 from left edge	$12.13 \pm 0.20$ mm
Pitch (distance between A1 and A2)	4.5 mm