

Product Name:	Deep Well Plate
Product Application:	<p>The deep well plates of NEST have a variety of specifications, conforming to the needs of fully automatic workstations and experiments.</p> <ol style="list-style-type: none"> Sample storage: it can replace the conventional 1.5ml centrifuge tube to store samples, and can be arranged tidily to save space, with large storage capacity, and can withstand the -80°C refrigerator condition. Therefore, it's also called storage plate. Sample processing: it can be used in combined with multipass pipettes, high-throughput automatic liquid processors and respective softwares to allow the high-throughput operation of biological samples, for example, protein precipitation, liquid extraction, nucleic acid extraction, etc. Greatly improve the efficiency of sample processing. Can withstand high temperature and high pressure sterilization at 121°C. Sample injection: suitable for the automatic devices of various companies, it can be directly placed in the sample compartment of the automatic device for injection. Compared to conventional sample injection, it can not only double the sample amount placed in the sample compartment, but also realizes the direct sample injection of samples after processing on the 96-well plate, eliminating the tedious work of pipetting and placing samples back and forth.
Product Materials:	<p>Polypropylene (PP). Silicone Mat.</p> <p>Meets <i>USP, Class VI standards</i></p>
product Specifications:	<p>Temperature range: stored at room temperature Shelf life: 5 years after date of production (ensure package is in good)</p>
Sterilization:	<p>Yes (Sterile Cat.No).</p> <p>Sterilized by E-beam, Sterility Assurance Level: SAL=10⁻⁶. The product has been irradiated and dosimetrically released based on ANSI/AAMI/ISO 11137</p>
Pyrogens:	Non-Pyrogenic
RNase/DNase:	DNase/RNase free
BSE/TSE:	These products are deemed animal free.
Performance Testing:	<p>Each manufacturing lot is sampled and tested in accordance with standard operating procedures.</p> <p>Appearance inspection: qualified Centrifugation test: qualified Freeze test: qualified Autoclave test : qualified Packaging inspection: qualified</p>
Features	<ol style="list-style-type: none"> USP VI Polypropylene material, High chemical stability. Compatible with DMSO and inert to water. Withstand temperature range: -80°C to 120°C.

3. Autoclavable
4. Centrifugal strength up to 3000g
5. Compatible with multi-channel pipette and automatic equipment
6. Optimized bottom design to minimize residual volume
7. Alphabetical sorting and corner cut marking for convenient tracking of samples.
8. Conform to SBS/ ANSI
9. Specific 96 well deep plate used in nucleic acid extraction
10. Stackable, reliable tight sealing
11. Non-pyrogenic, DNase/RNase free

Product Range

Round Well

Cat. No.	Product Description	sterilized	Packing
504102	3.5 mL 48-Well Deep Well Plate, U-Bottom, Round Well	customizable	5/pack , 50/case
500101	0.36 mL 96-Well Deep Well Plate, V-Bottom, Round Well	NO	10/pack , 50/case
501102	0.4 mL 96-Well Deep Well Plate, U-Bottom, Round Well	YES	10/pack , 50/case
501101	0.5 mL 96-Well Deep Well Plate, V-Bottom, Round Well	NO	10/pack , 50/case
501601		YES	5/pack , 50/case
502102	1.0 mL 96-Well Deep Well Plate, U-Bottom, Round Well	NO	5/pack , 50/case
502162		YES	5/pack , 50/case
507001	1.3mL 96-Well Deep Well Plate, U-Bottom, Round Well	NO	5/pack , 50/case
507101		YES	5/pack , 50/case
503102	2.0 mL 96-Well Deep Well Plate, U-Bottom, Round Well	NO	5/pack , 50/case
503162		YES	5/pack , 50/case

Square Well

Cat. No.	Product Description	Sterilized	Packing
504002	4.6 mL 48-Well Deep Well Plate, U-Bottom, Square Well	YES	5/pack , 50/case
504062		NO	5/pack , 50/case
501002	1.0 mL 96-Well Deep Well Plate, U-Bottom, Square Well	NO	10/pack , 50/case
501062		YES	10/pack , 50/case
502002	1.6 mL 96-Well Deep Well Plate, U-Bottom, Square Well	customizable	5/pack , 50/case
503001	2.0 mL 96-Well Deep Well Plate, V-Bottom, Square Well	NO	5/pack , 50/case
503501		YES	5/pack , 50/case

503002	2.2 mL 96-Well Deep Well Plate, U-Bottom, Square Well	NO	5/pack , 50/case
503062		YES	5/pack , 50/case
503711	2.2mL, 96-well, I-shaped, Square Well, U-Bottom	NO	5/pack , 50/case
503761		YES	5/pack , 50/case
510011	16mL 24-Well Deep Well Plate + Plastic Comb, Square Well, V-Bottom	customizable	1 /pack , 25/case
510001	16mL 24-Well Deep Well Plate, Square Well, V-Bottom	YES	1/pack , 25/case
503621	NEST™Mag Pure® 2.2 mL 96-Well Deep Well Plate, V-Bottom, Square Well, Compatible with Kingfisher Flex &Presto	YES	5/pack, 50/case
503021		NO	
500621	NEST™Mag Pure® 0.5 mL 96-Well Deep Well Plate, V-Bottom, Square Well, Compatible with Kingfisher Flex &Presto	YES	5/pack, 50/case
500021		NO	5/pack, 50/case

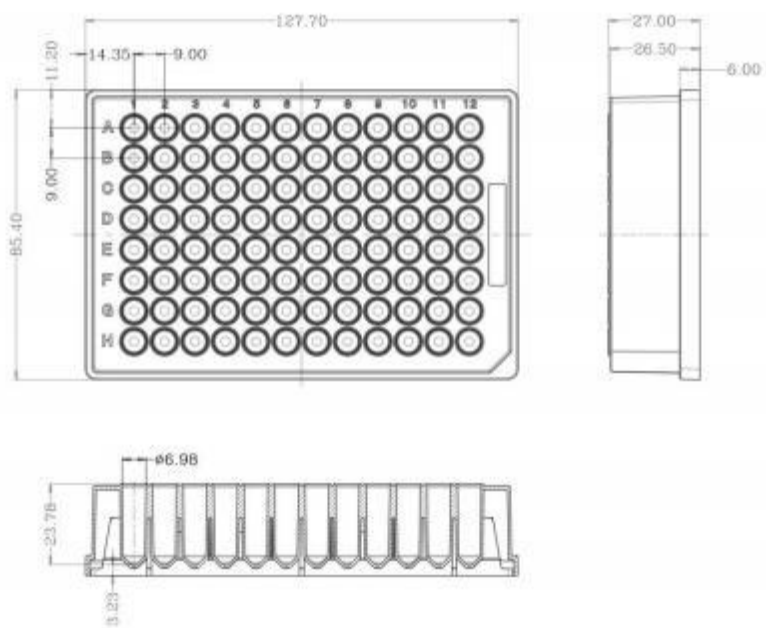
Sealing Mats

Cat. No.	Product Description	Sterilized	Packing
506003	96 Well Square Well Silicone Sealing Mat, for square-well Deep Well Plate, 0.5-2.2mL	No	5/pack , 50/case
506004	96 Well Square Well Silicone Sealing Mat, for square-well Deep Well Plate, 0.5-2.2mL, can be Punctured	NO	5/pack , 50/case
506005	96 Well Square Well Silicone Sealing Mat, for round-well Deep Well Plate, 1mL and below, can be Punctured	NO	5/pack , 50/case
506006	96 Well Square Well Silicone Sealing Mat, for round-well Deep Well Plate, 2mL, can be Punctured	NO	5/pack , 50/case

Technical Drawing

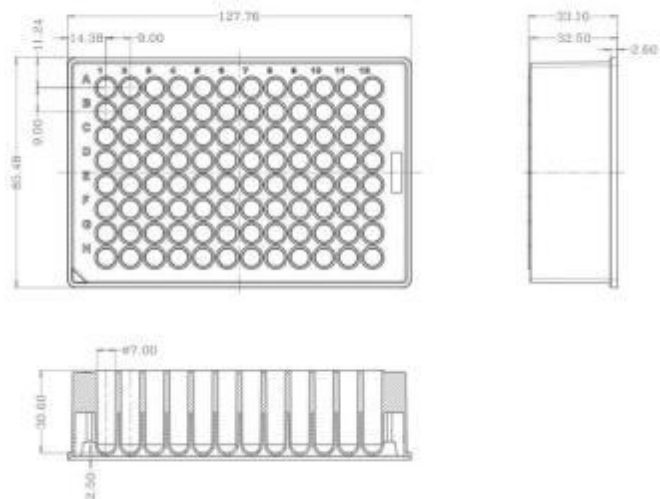
Cat.No.:501101/501601

501101



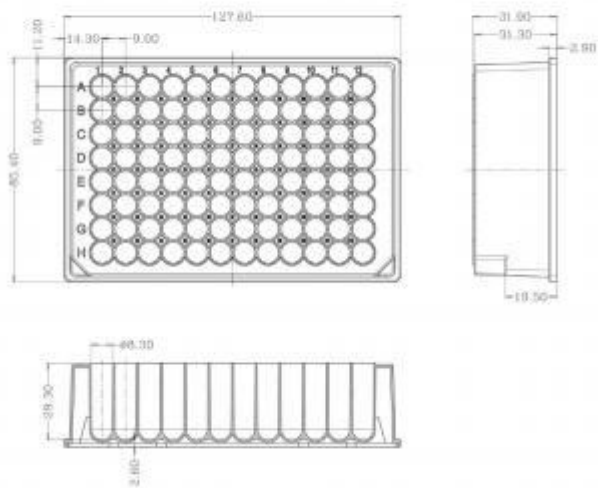
Cat.No.:502102/502162

502102



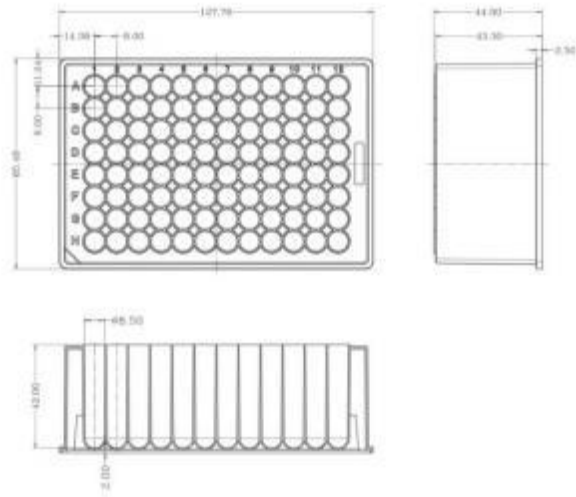
Cat.No.: 507001/507101

507001



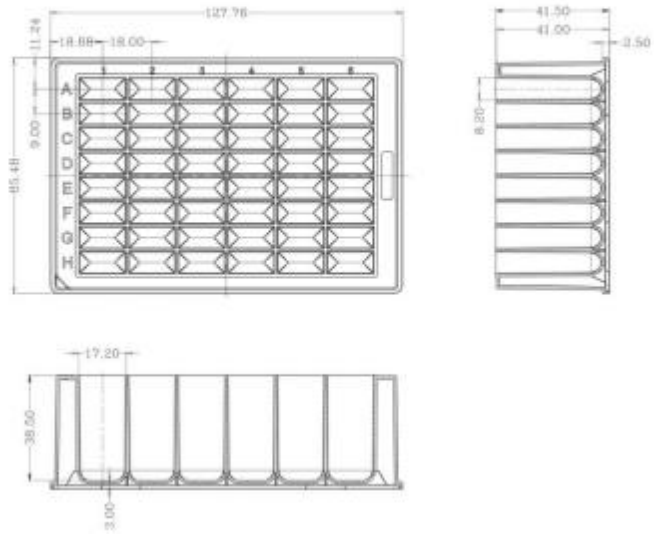
Cat.No.: 503102/503162

503102



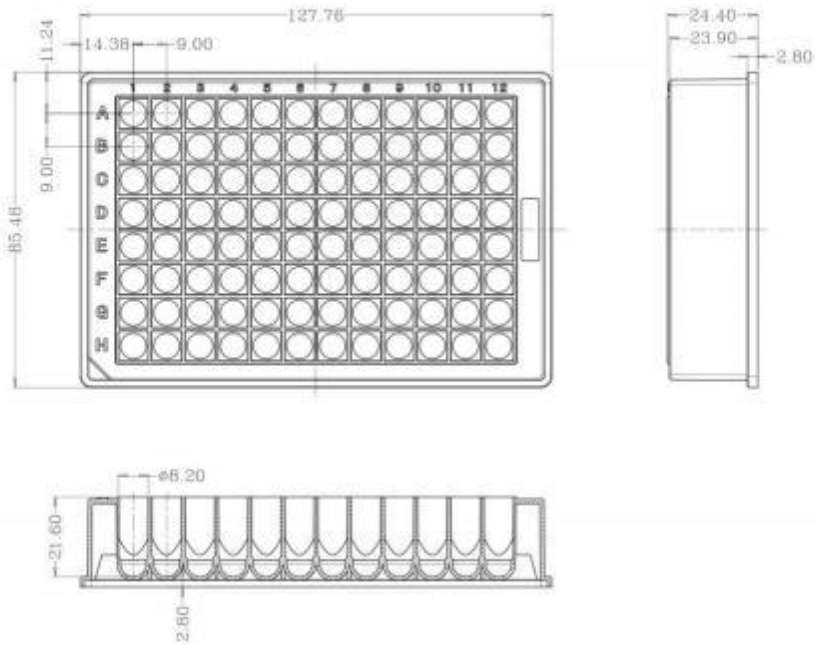
Cat.No.:504002/504062

504002



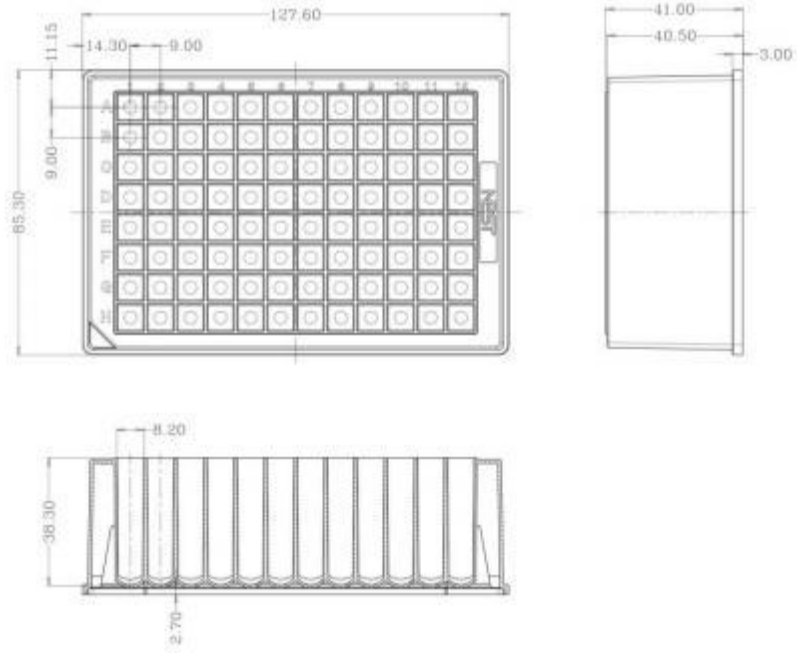
Cat.No.:501002/501062:

501002



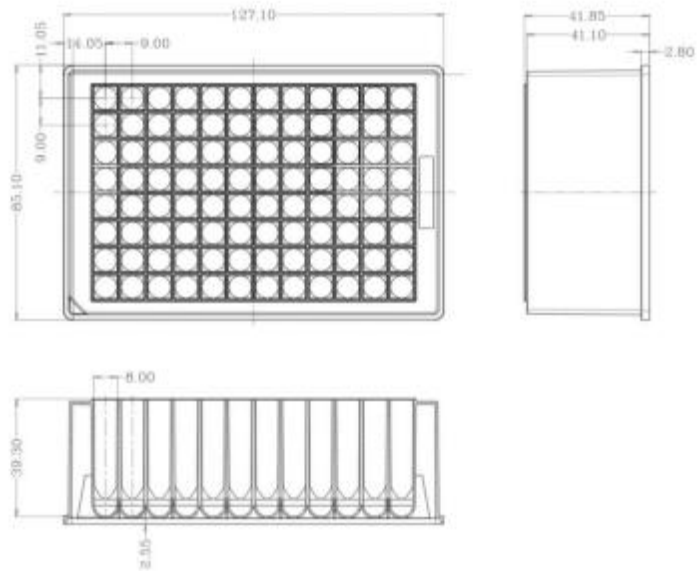
Cat.No.:503001/503501:

503001



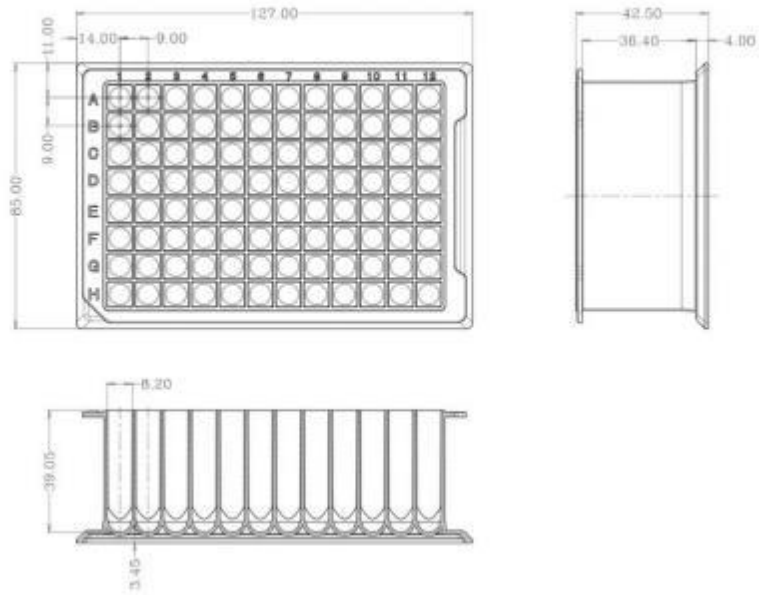
Cat.No.:503002/503062:

503002

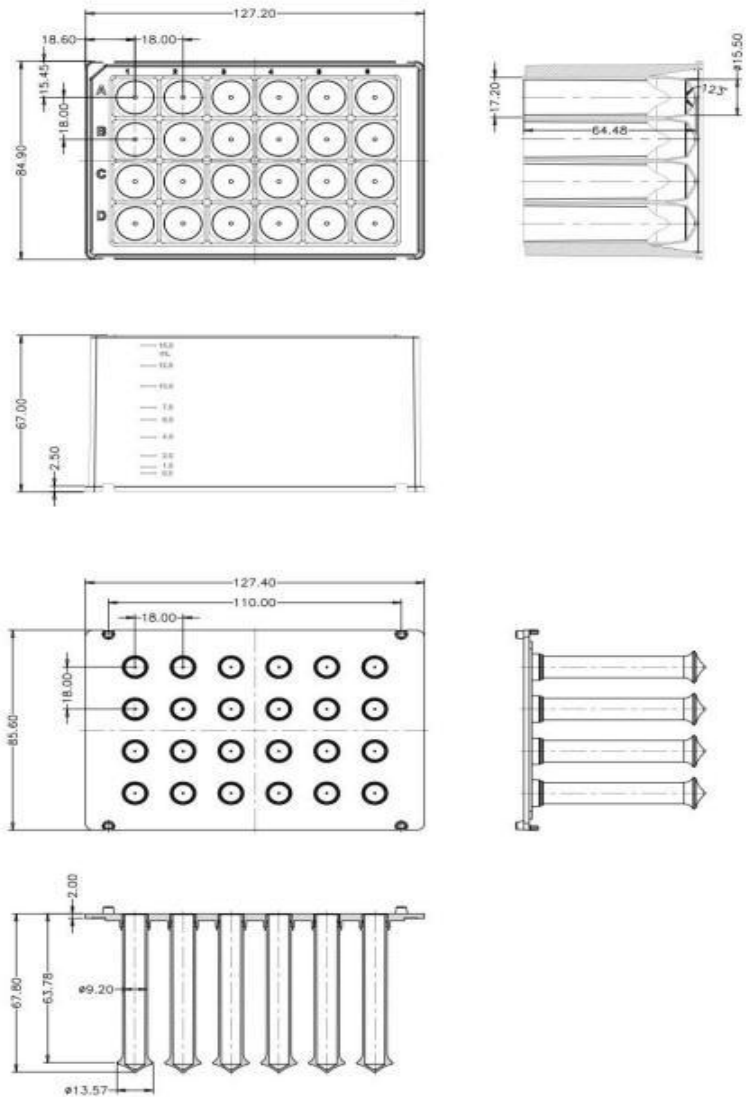


Cat.No.:503711/503761:

503711

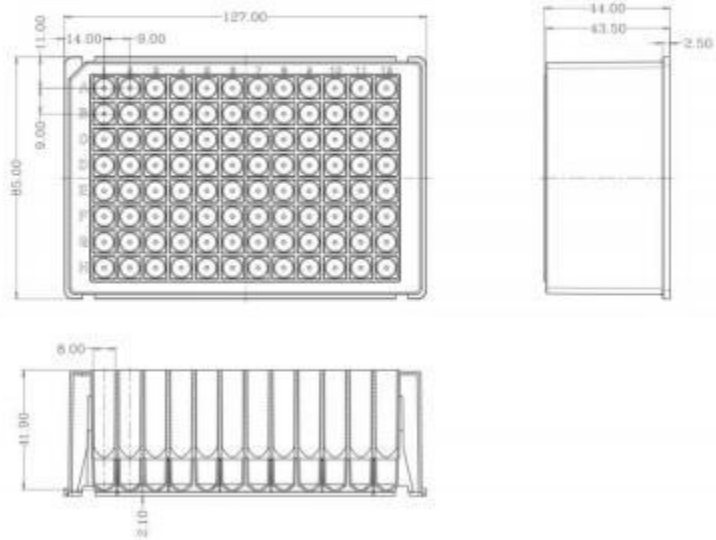


Cat.No.:510011/510001/509001:



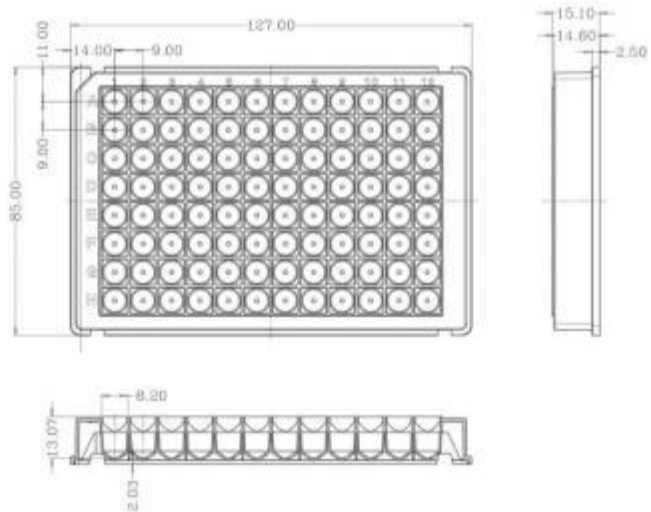
Cat.No.503621/503021:

503021



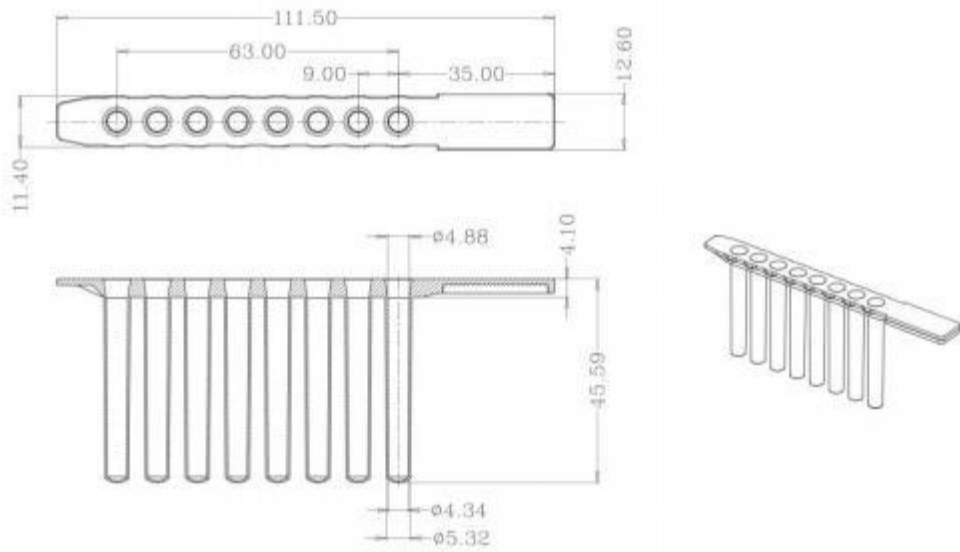
Cat.No.:500621/500021:

500021



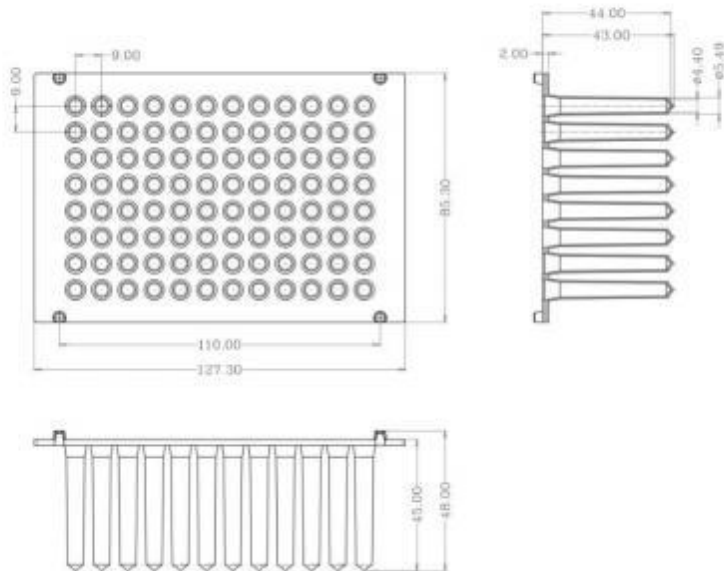
Cat.No.509211/509261:

509211

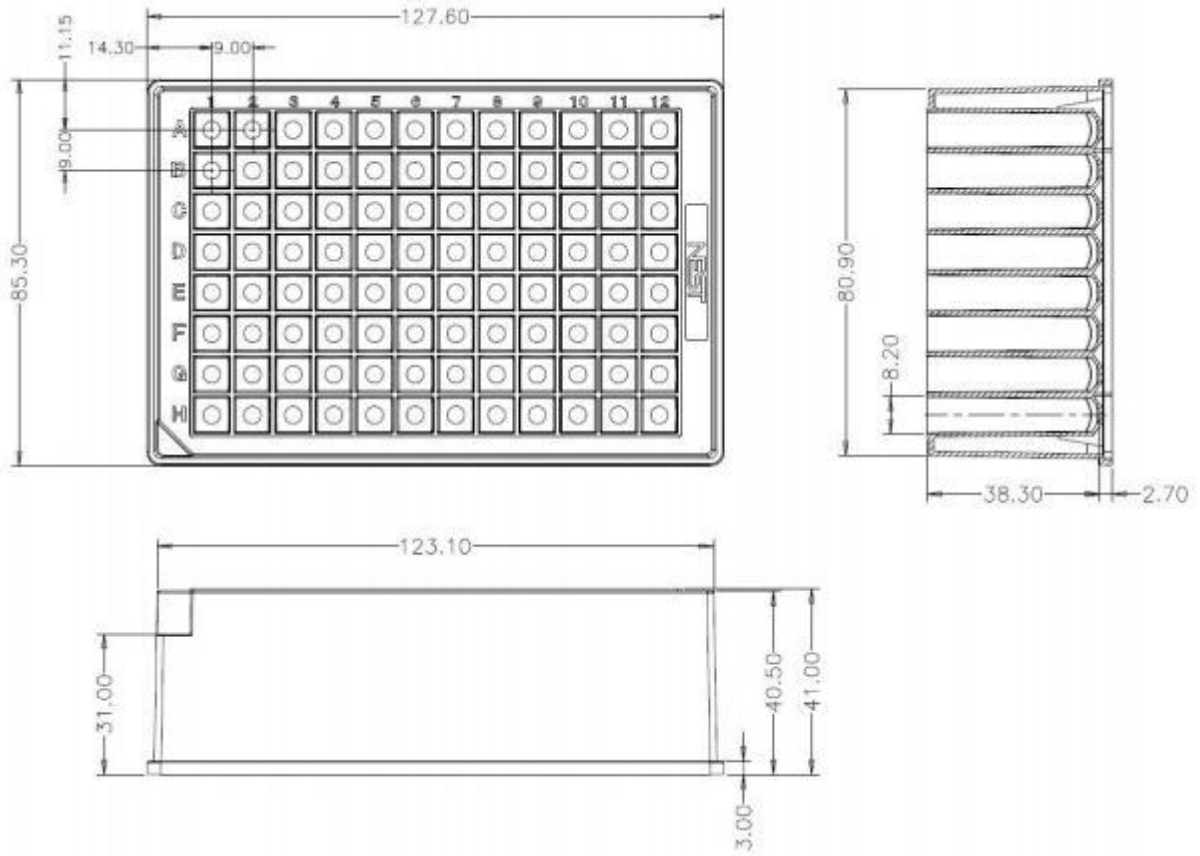


Cat.No.503361/503311

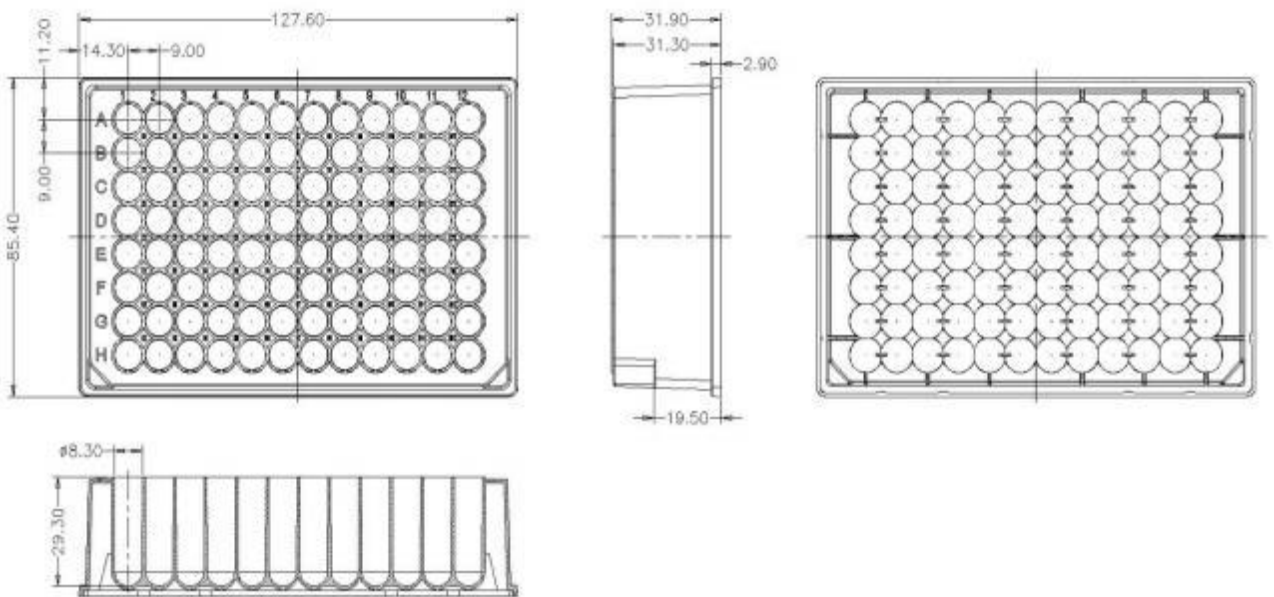
503311



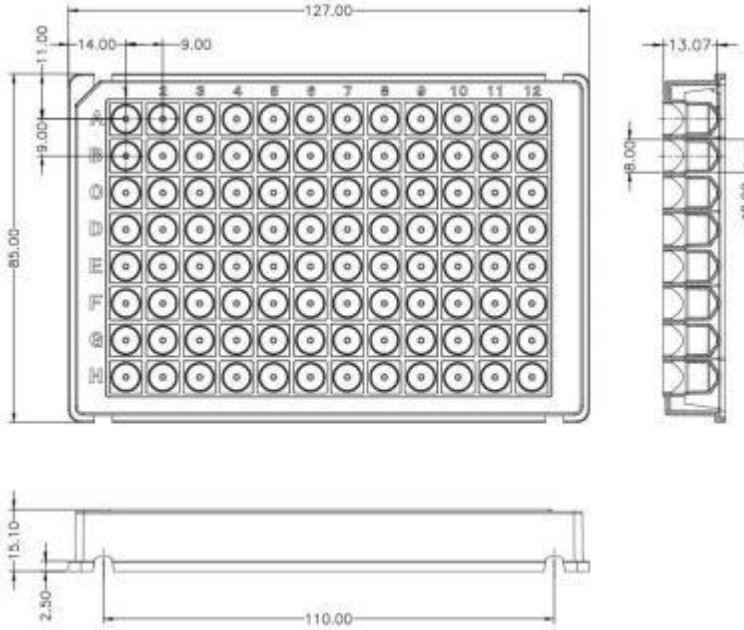
Cat.No.503001 /503501:



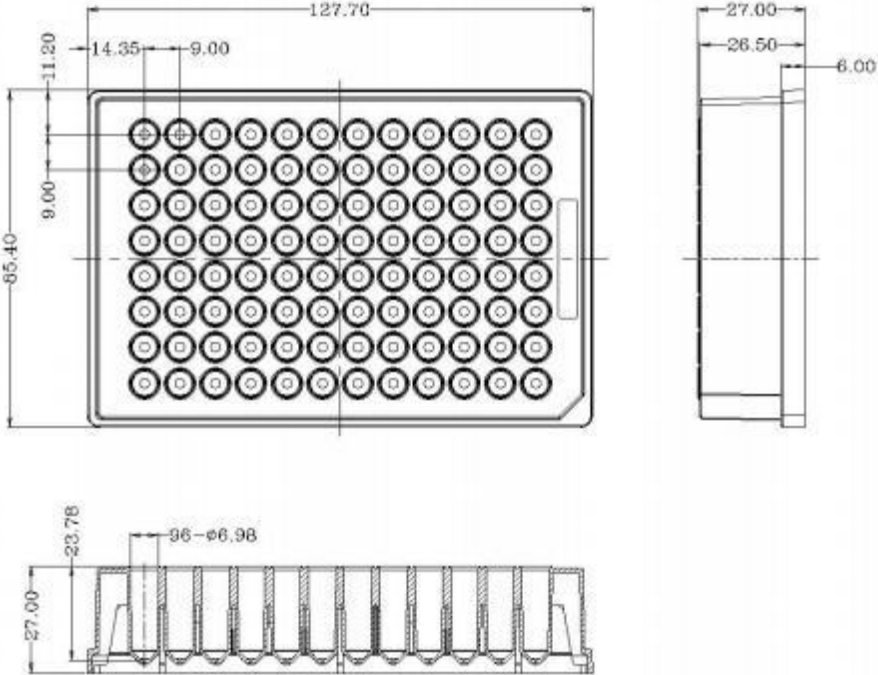
Cat.No. 507001 /507101:



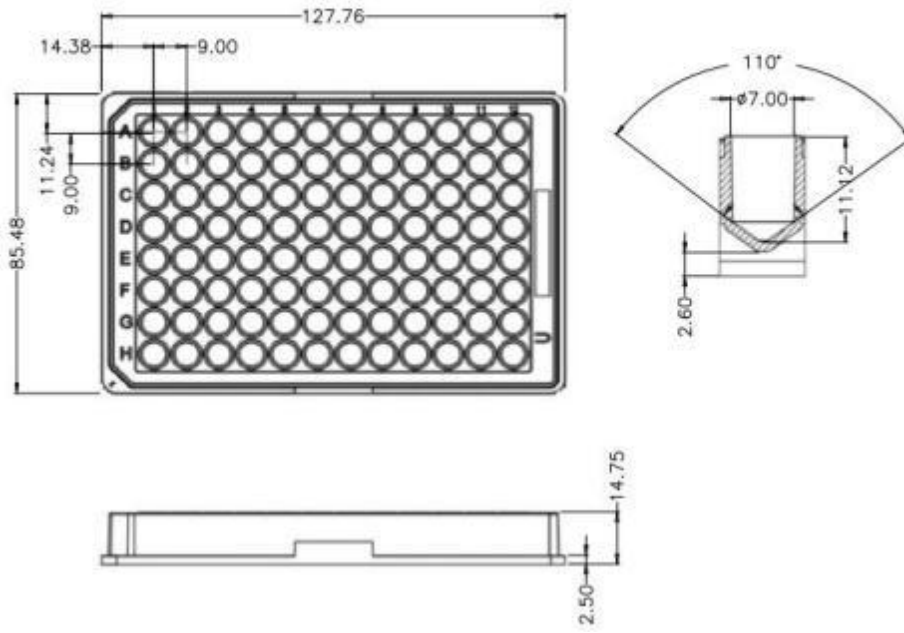
0.5 mL 96-Deep Well Plate (500621/500021):



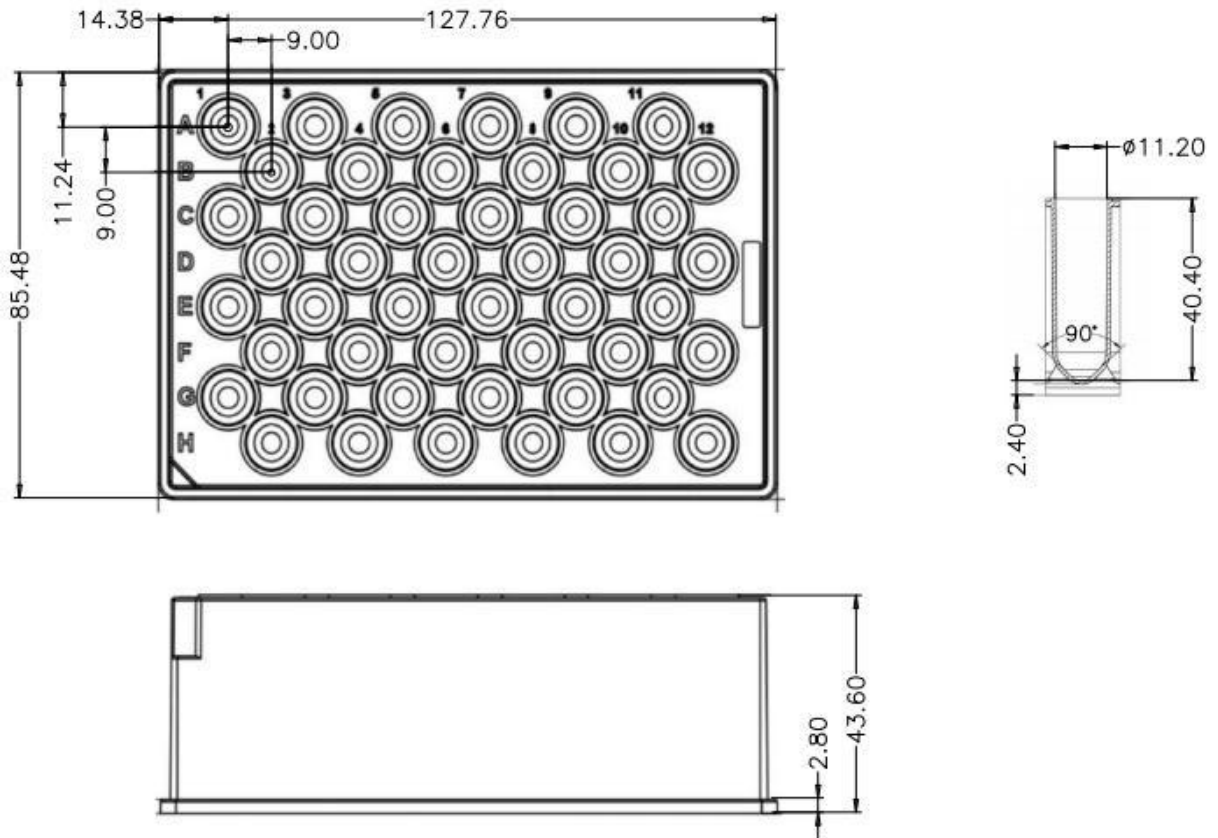
0.5 mL 96-Well Deep Well Plate, V-Bottom (501601/501101):



500101

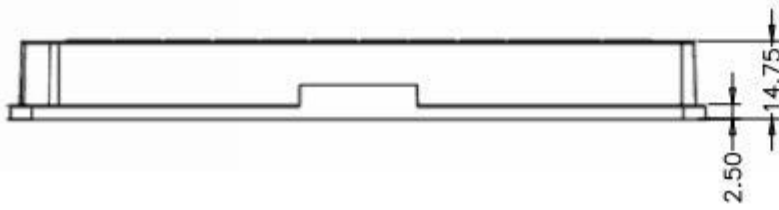
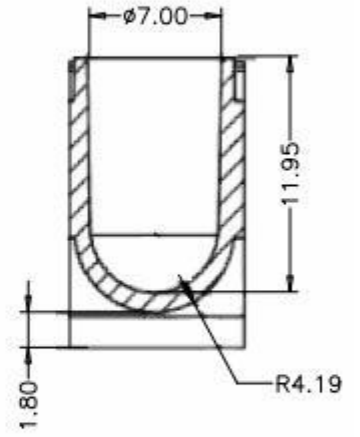
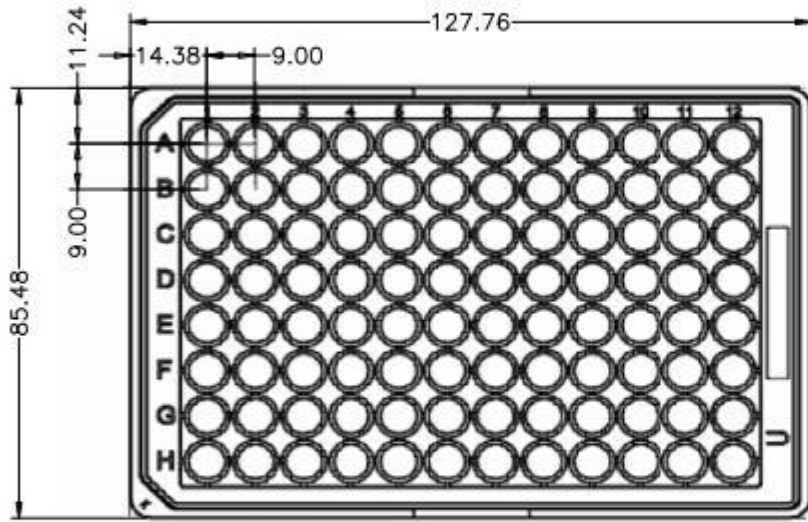


504102



Cat.No. 501102

501102



Cat.No. 502002

502002

